



User Manual

Locator PCE-VE-LOC for PCE-VE 380N



User manuals in various languages (français, italiano, español, português, nederlands, türk, polski, русский, 中文) can be found by using our product search on: www.pce-instruments.com

Last change: 22 December 2017
v1.0



Contents

1	Safety notes	1
2	Product description	2
2.1	Device	2
2.2	Mounting	3
2.3	Display	4
3	Operation	5
3.1	Quick calibration.....	6
4	Technical specifications	7
5	Contact	8
6	Disposal	8

1 Safety notes

Please read this manual carefully and completely before you use the device for the first time. The device may only be used by qualified personnel and repaired by PCE Instruments personnel. Damage or injuries caused by non-observance of the manual are excluded from our liability and not covered by our warranty.

- This product is designed for industrial use only. Do not use the system for human or biological inspection.
- Do not use the camera cable to inspect fuel tanks or other environments with explosive or inflammable atmospheres.
- Do not try to disassemble this product to avoid damage or electric shocks.
- Only use original or recommended components or accessories. Unapproved accessories and components may cause damage.

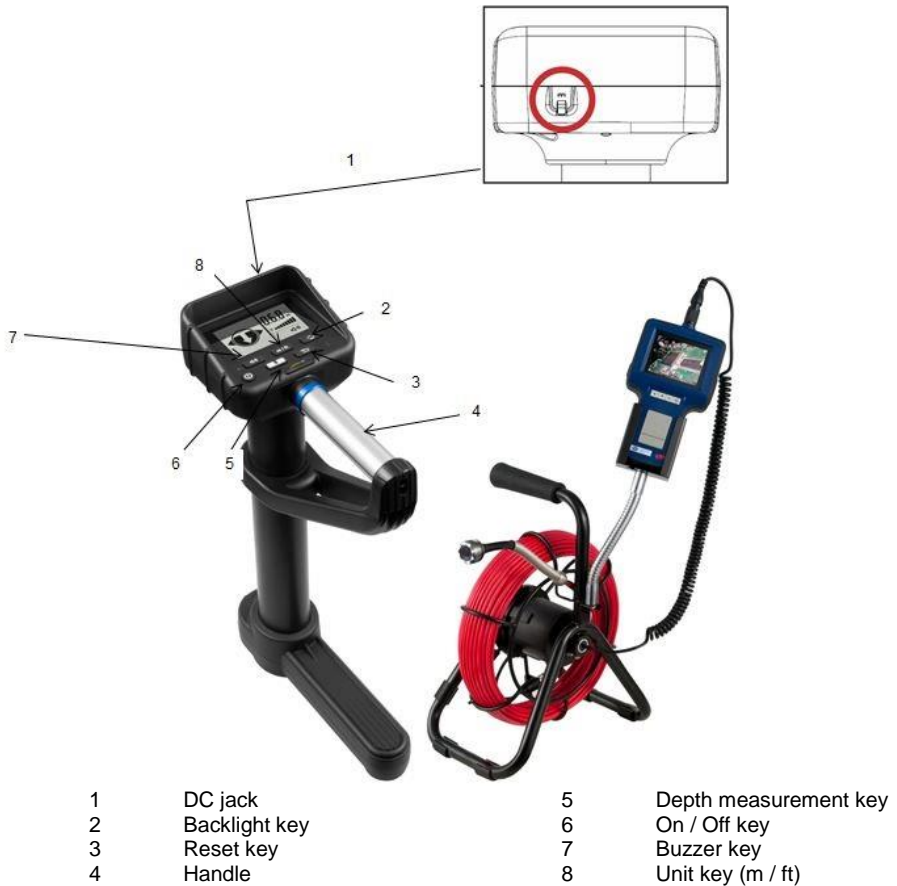
We do not assume liability for printing errors or any other mistakes in this manual.

We expressly point to our general guarantee terms which can be found in our general terms of business.

If you have any questions please contact PCE Instruments. The contact details can be found at the end of this manual.

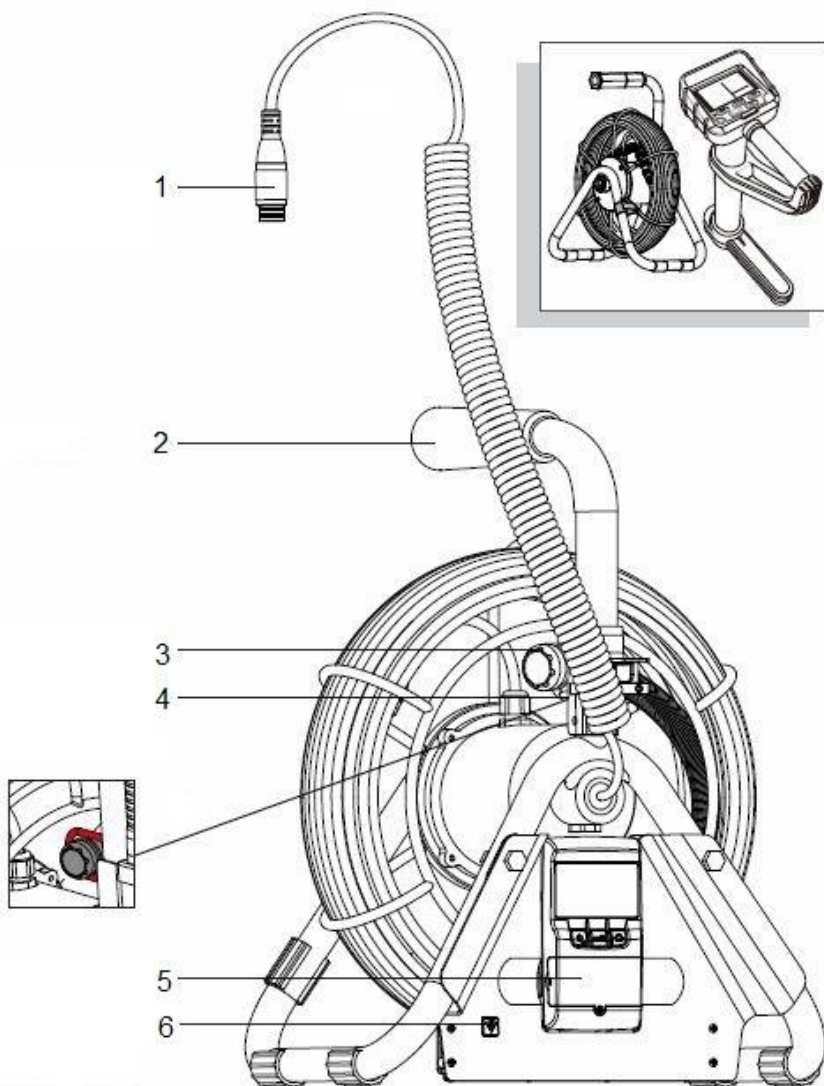
2 Product description

2.1 Device



DC jack	To connect mains adaptor for charging
Backlight key	Backlight can be switched on or off
Reset key	Reset, e. g. when depth measurement failed
Handle	
Depth measurement key	To identify the depth of the transmitter
On / Off key	To switch on / off
Buzzer key	To switch on / off buzzer sound that occurs when locator is switched on and when moving closer to the transmitter
Unit key (m / ft)	To switch the units of depth measurement

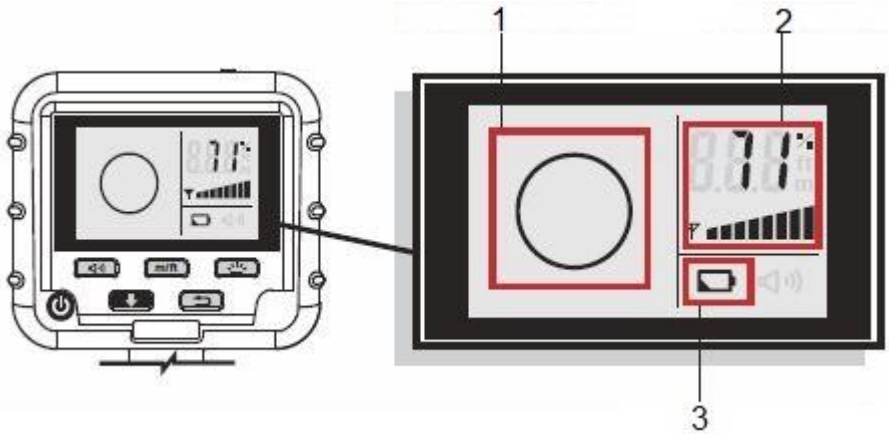
2.2 Mounting



1 Main system connector
 2 Handle
 3 Camera head





4 Camera head stopper
 5 Meter
 6 Power button for transmitter

 **2.3 Display**



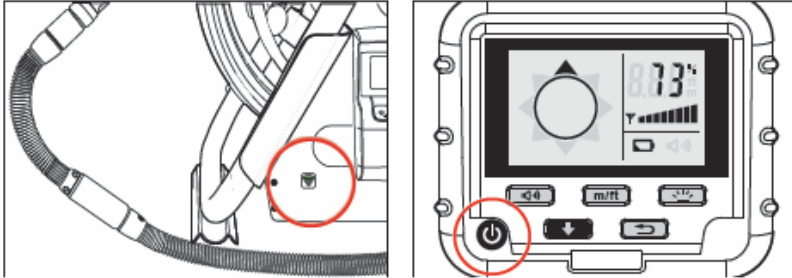
1 Detection icon 2 Signal strength 3 Low battery alert

The battery must be charged whenever the low battery alert appears on the screen.

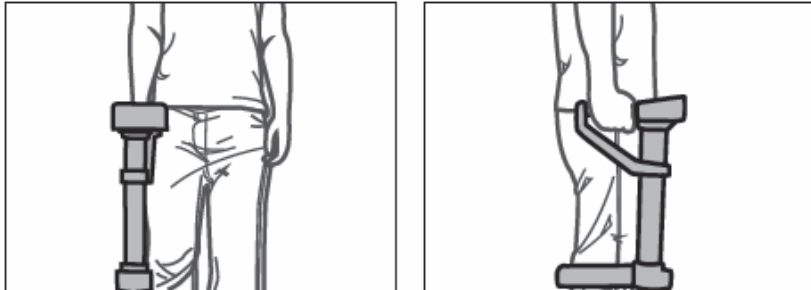
Icon	Description
	Weak signal, hard to verify directions
	You can follow the directions of the arrow to move on
	Depth measurement icon: appears when you are within the measurable range (horizontal 4.5 m / 15 f, vertical 1.8 m / 5.9 f), i. e. a depth measurement can be made and the reading is displayed along with peak signal strength
	Depth measurement failed. Reset and wait a few seconds for the reading to stabilise. A stable reading is indicated by an icon.

3 Operation

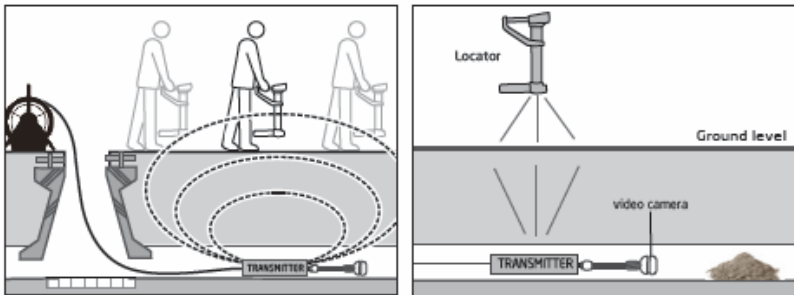
- Turn on the borescope as well as the locator.
- Before placing the transmitter in the target location, move the locator to check the signal strength (see “Quick calibration”). Also check the depth measurement icon as well as the battery level.
- The lamp next to the power button for the transmitter should glow in green. If the lamp glows in red, the battery voltage is insufficient and the instrument is not ready to work. The battery will last no longer than 15 minutes when the red lamp starts glowing.



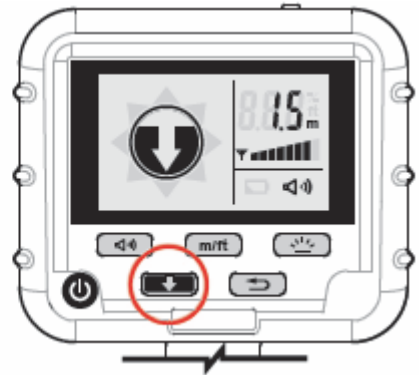
- Move the locator carefully and do not change the height, if possible.



- Localisation every 5 m is recommended.

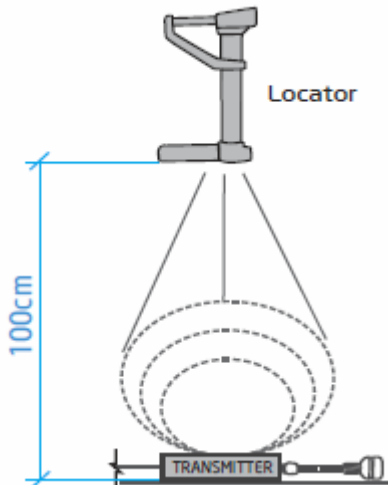


- To find the best signal strength, follow the arrows on the screen.
- When you come closer to the transmitter, the intervals of the beeping sound will become shorter.
- When you have reached the signal peak, turn the locator counterclockwise until the depth measurement icon pops up. Then press the depth measurement key to get the result.



3.1 Quick calibration

- Place the antenna of the locator approx. 100 cm / 3 f away from the transmitter.
- Check the signal strength.
- If the signal strength is below 60 %, press the reset key. Repeat these steps until the signal strength is sufficient.



4 Technical specifications

Locator PCE-VE-LOC	
Dimensions	L : 293.5 mm W : 144 mm H : 486.5 mm
Weight	2 kg
Power supply	3.7 V / 2000 mA Li battery
Power consumption	282 mA
Charging duration	3 ... 4 h
Battery life	6 ... 7 h
Power adaptor	5.5 V, 1.8 A
Humidity	95 % RH, non-condensing
Working temperature	-10 ... 60 °C
Storage temperature	-20 ... 80 °C
Drop resistance	60 cm
IP protection	IP55

Transmitter	
Power supply	2 x AAA batteries
Power consumption	3.4 V / 230 mA
Battery life	Approx. 3 ... 4 h



5 Contact

If you have any questions, suggestions or technical problems, please do not hesitate to contact us. You will find the relevant contact information at the end of this user manual.

6 Disposal

For the disposal of batteries in the EU, the 2006/66/EC directive of the European Parliament applies. Due to the contained pollutants, batteries must not be disposed of as household waste. They must be given to collection points designed for that purpose.

In order to comply with the EU directive 2012/19/EU we take our devices back. We either re-use them or give them to a recycling company which disposes of the devices in line with law.

For countries outside the EU, batteries and devices should be disposed of in accordance with your local waste regulations.

If you have any questions, please contact PCE Instruments.





PCE Instruments contact information

Germany

PCE Deutschland GmbH
Im Langel 4
D-59872 Meschede
Deutschland
Tel.: +49 (0) 2903 976 99 0
Fax: +49 (0) 2903 976 99 29
info@pce-instruments.com
www.pce-instruments.com/deutsch

France

PCE Instruments France EURL
23, rue de Strasbourg
67250 SOULTZ-SOUS-FORETS
France
Téléphone: +33 (0) 972 3537 17
Numéro de fax: +33 (0) 972 3537 18
info@pce-france.fr
www.pce-instruments.com/french

Spain

PCE Ibérica S.L.
Calle Mayor, 53
02500 Tobarra (Albacete)
España
Tel. : +34 967 543 548
Fax: +34 967 543 542
info@pce-iberica.es
www.pce-instruments.com/espanol

United States of America

PCE Americas Inc.
711 Commerce Way suite 8
Jupiter / Palm Beach
33458 FL
USA
Tel: +1 (561) 320-9162
Fax: +1 (561) 320-9176
info@pce-americas.com
www.pce-instruments.com/us

United Kingdom

PCE Instruments UK Ltd
Units 12/13 Southpoint Business Park
Ensign Way, Southampton
Hampshire
United Kingdom, SO31 4RF
Tel: +44 (0) 2380 98703 0
Fax: +44 (0) 2380 98703 9
info@industrial-needs.com
www.pce-instruments.com/english

Italy

PCE Italia s.r.l.
Via Pesciatina 878 / B-Interno 6
55010 LOC. GRAGNANO
CAPANNORI (LUCCA)
Italia
Telefono: +39 0583 975 114
Fax: +39 0583 974 824
info@pce-italia.it
www.pce-instruments.com/italiano

The Netherlands

PCE Brookhuis B.V.
Institutenweg 15
7521 PH Enschede
Nederland
Telefoon: +31 (0)53 737 01 92
Fax: +31 53 430 36 46
info@pcebenelux.nl
www.pce-instruments.com/dutch

Chile

PCE Instruments Chile S.A.
RUT: 76.154.057-2
Santos Dumont 738, local 4
Comuna de Recoleta, Santiago, Chile
Tel. : +56 2 24053238
Fax: +56 2 2873 3777
info@pce-instruments.cl
www.pce-instruments.com/chile

Hong Kong

PCE Instruments HK Ltd.
Unit J, 21/F., COS Centre
56 Tsun Yip Street
Kwun Tong
Kowloon, Hong Kong
Tel: +852-301-84912
jji@pce-instruments.com
www.pce-instruments.cn

China

PCE (Beijing) Technology Co.,Ltd
1519 Room, 6 Building
Men Tou Gou Xin Cheng,
Men Tou Gou District
102300 Beijing
China
Tel: +86 (10) 8893 9660
info@pce-instruments.cn
www.pce-instruments.cn

Turkey

PCE Teknik Cihazları Ltd.Şti.
Halkalı Merkez Mah.
Pehlivan Sok. No.6/C
34303 Küçükçekmece - İstanbul
Türkiye
Tel: 0212 471 11 47
Faks: 0212 705 53 93
info@pce-cihazlari.com.tr
www.pce-instruments.com/turkish