



User Manual

PCE-ITF 5 Infrared Thermometer



User manuals in various languages (français, italiano, español, português, nederlands, türk, polski, русский, 中文) can be found by using our product search on: www.pce-instruments.com

Last change: 31 March 2020
v1.0



Contents

1	Safety notes	1
2	Delivery contents	2
3	Specifications	2
4	Device description	3
4.1	Display description	4
5	Before making a measurement	4
5.1	Cleaning.....	4
6	Turning the meter on/off	4
7	How to make a measurement	4
8	Settings	5
9	Laser ring	5
10	Distance-to-spot ratio	6
11	Emissivity	6
12	Replacing the batteries	7
13	Contact	7
14	Disposal	7

1 Safety notes

Please read this manual carefully and completely before you use the device for the first time. The device may only be used by qualified personnel and repaired by PCE Instruments personnel. Damage or injuries caused by non-observance of the manual are excluded from our liability and not covered by our warranty.

- The device must only be used as described in this instruction manual. If used otherwise, this can cause dangerous situations for the user and damage to the meter.
- The instrument may only be used if the environmental conditions (temperature, relative humidity, ...) are within the ranges stated in the technical specifications. Do not expose the device to extreme temperatures, direct sunlight, extreme humidity or moisture.
- Do not expose the device to shocks or strong vibrations.
- The case should only be opened by qualified PCE Instruments personnel.
- Never use the instrument when your hands are wet.
- You must not make any technical changes to the device.
- The appliance should only be cleaned with a damp cloth. Use only pH-neutral cleaner, no abrasives or solvents.
- The device must only be used with accessories from PCE Instruments or equivalent.
- Before each use, inspect the case for visible damage. If any damage is visible, do not use the device.
- Do not use the instrument in explosive atmospheres.
- The measurement range as stated in the specifications must not be exceeded under any circumstances.
- Non-observance of the safety notes can cause damage to the device and injuries to the user.
- Never target persons or animals with the laser beam.
- Never look into the laser beam directly.

We do not assume liability for printing errors or any other mistakes in this manual.

We expressly point to our general guarantee terms which can be found in our general terms of business.

If you have any questions please contact PCE Instruments. The contact details can be found at the end of this manual.



2 Delivery contents

1 x infrared thermometer PCE-ITF 5

2 x 1.5 V AAA battery

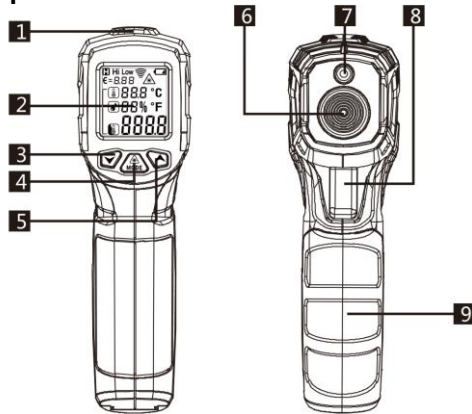
1 x user manual

3 Specifications

Measuring function	Measurement range	Resolution	Accuracy
Infrared temperature	-50 ... 550 °C / -58 ... +1022 °F	0.1 °C / 0.18 °F	0 ... 550 °C / 32 ... 1022 °F: ±(1.5 % of rdg. +2 °C / 4 °F) Rest of range.: ±3 °C / 5.4 °F
Air temperature	-45 ... 60 °C / -49 ... 140 °F	0.1 °C / 0.18 °F	0 ... 45 °C / 32 ... 113 °F: ±1 °C / 2 °F Rest of range: ±1.5 °C / 3 °F
Relative humidity	0 ... 100 % RH	1 % RH	20 ... 80 % RH: ±4 % RH Rest of range: ±5 % RH
Further specifications			
Emissivity	0.1 ... 1		
Distance-to-spot ratio	12:1		
Spectral sensitivity	8 ... 17 µm		
Laser class	2 <1 mW 620 ... 690 nm		
Response time	approx. 0.5 s		
Auto Power Off function	After approx. 30 s		
Power supply	2 x 1.5 V AAA battery		
Operating conditions	0 ... 40 °C		
Storage conditions	-10 ... 60 °C		
Weight	approx. 108 g		
Dimensions	150 x 94 x 40 mm		

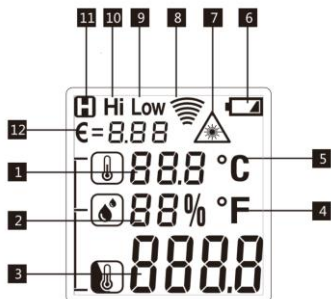


4 Device description



No.	Description
1	Humidity sensor and alarm LED
2	Display
3	Arrow down key
4	„MODE“ key
5	Arrow up key
6	Sensor system
7	Laser
8	Trigger
9	Battery compartment

4.1 Display description



No.	Description
1	Ambient temperature
2	Ambient humidity
3	Surface temperature
4	Reading in degrees Fahrenheit
5	Reading in degrees Celsius
6	Batteries have insufficient voltage to operate meter properly
7	Laser active during a measurement
8	A measurement is made
9	Lowest set limit value fallen below
10	Highest set limit value exceeded
11	Readings held. No measurement is taking place
12	Set emissivity

5 Before making a measurement

In order to obtain a measurement result that is as accurate as possible, it is advisable to give the measuring instrument at least 30 minutes to acclimatize in the event of strong ambient temperature fluctuations.

Avoid strong electromagnetic fields (EFM).

Do not place the meter on heated surfaces. Always keep the meter clean.

5.1 Cleaning

In order to clean the sensor system, a mild and cleaned air pressure, for example from a compressor, can be used to remove coarse dirt. A cotton cloth can then be used to remove any dirt that is stuck.

6 Turning the meter on/off

To turn on the meter, apply the trigger. The meter will turn off automatically after 30 minutes.

7 How to make a measurement

To make a measurement, start by targeting the surface to be measured with the meter. Then press and hold the trigger until the readings have stabilised. You can then read out the measured values from the display.

8 Settings

Various further settings can be made in the meter. Turn on the meter if you want to make any settings. Now press and hold the "MODE" key for approx. 2 seconds. You are now in settings mode. To leave the menu, press and hold the "MODE" key again for approx. two seconds or press and release the trigger. Use the arrow keys to change values. The menu has the following levels:

Hi	Here you can set the alarm limit for the highest reading. When this set value is exceeded, "Hi" will be displayed and the alarm LED will glow.
LOW	Here you can set the alarm limit for the lowest reading. When this set value is fallen below, "LOW" will be displayed and the alarm LED will glow.
€	Here you can set the emissivity for the surface temperature measurement. Each surface has its specific emissivity.
°C / °F	Here you can choose the temperature unit – either degrees Celsius or degrees Fahrenheit.

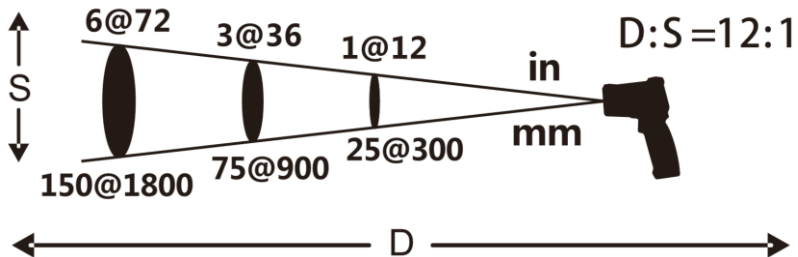
To get to the desired function, press the "MODE" key repeatedly.

9 Laser ring

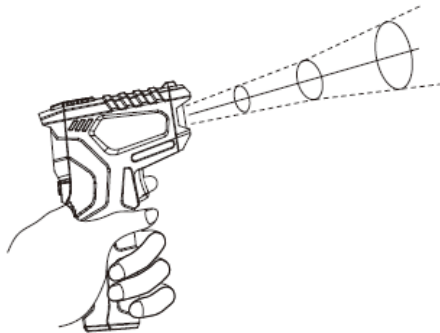
The meter has a built-in laser for orientation purposes. To activate the laser, briefly press the "MODE" key when you are in measurement view. The warning signal for the laser appears in the display. If you now press the trigger for a measurement, the laser will be activated. As soon as the measurement is finished, the laser will also be switched off.

10 Distance-to-spot ratio

The distance-to-spot ratio of this meter is 12:1. This means that the distance between the surface and the meter is 12 times larger than the measuring surface itself.



The farther the meter is away from the surface to be measured, the more space will be measured. If the distance-to-spot ratio is too large, undesired surfaces may be included in the measurement. This will cause incorrect readings.



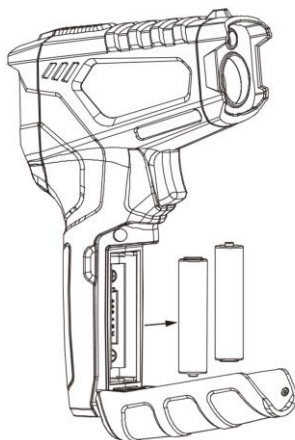
11 Emissivity

Each surface has its own emissivity. In the following, you can find a rough list of different surfaces and their emissivities.

Asphalt	0.90 ... 0.98	Brick	0.93 ... 0.96
Concrete	0.94	Marble	0.94
Cement	0.96	Mortar	0.89 ... 0.91
Sand	0.90	Rubber	0.94
Soil	0.92 ... 0.96	Plastic	0.85 ... 0.95
Water	0.92 ... 0.96	Timber	0.90
Cloth	0.98	Paper	0.70 ... 0.94
Skin	0.81 ... 0.83	Chrome	0.81
Leather	0.75 ... 0.80	Copper	0.78
Powder	0.96	Iron	0.78 ... 0.82
Lacquer	0.97	Textiles	0.90
Ice	0.96 ... 0.98	Ceramics	0.90 ... 0.94
Snow	0.83	Plaster	0.80 ... 0.91

12 Replacing the batteries

When the battery icon appears, the batteries must be replaced. To do so, first open the battery compartment at the handle. Now replace the batteries by two new 1.5 V AAA batteries. Observe correct polarity.



13 Contact

If you have any questions, suggestions or technical problems, please do not hesitate to contact us. You will find the relevant contact information at the end of this user manual.

14 Disposal

For the disposal of batteries in the EU, the 2006/66/EC directive of the European Parliament applies. Due to the contained pollutants, batteries must not be disposed of as household waste. They must be given to collection points designed for that purpose.

In order to comply with the EU directive 2012/19/EU we take our devices back. We either reuse them or give them to a recycling company which disposes of the devices in line with law.

For countries outside the EU, batteries and devices should be disposed of in accordance with your local waste regulations.

If you have any questions, please contact PCE Instruments.





PCE Instruments contact information

Germany

PCE Deutschland GmbH
Im Langel 4
D-59872 Meschede
Deutschland
Tel.: +49 (0) 2903 976 99 0
Fax: +49 (0) 2903 976 99 29
info@pce-instruments.com
www.pce-instruments.com/deutsch

Germany

PCE Produktions- und
Entwicklungsgesellschaft mbH
Im Langel 26
D-59872 Meschede
Deutschland
Tel.: +49 (0) 2903 976 99 471
Fax: +49 (0) 2903 976 99 9971
info@pce-instruments.com
www.pce-instruments.com/deutsch

The Netherlands

PCE Brookhuis B.V.
Institutenweg 15
7521 PH Enschede
Nederland
Telefoon: +31 (0)53 737 01 92
info@pcebenelux.nl
www.pce-instruments.com/dutch

United States of America

PCE Americas Inc.
711 Commerce Way suite 8
Jupiter / Palm Beach
33458 FL
USA
Tel: +1 (561) 320-9162
Fax: +1 (561) 320-9176
info@pce-americas.com
www.pce-instruments.com/us

France

PCE Instruments France EURL
23, rue de Strasbourg
67250 Soultz-Sous-Forêts
France
Téléphone: +33 (0) 972 3537 17
Numéro de fax: +33 (0) 972 3537 18
info@pce-france.fr
www.pce-instruments.com/french

United Kingdom

PCE Instruments UK Ltd
Unit 11 Southpoint Business Park
Ensign Way, Southampton
Hampshire
United Kingdom, SO31 4RF
Tel: +44 (0) 2380 98703 0
Fax: +44 (0) 2380 98703 9
info@pce-instruments.co.uk
www.pce-instruments.com/english

China

PCE (Beijing) Technology Co., Limited
1519 Room, 6 Building
Zhong Ang Times Plaza
No. 9 Mentougou Road, Tou Gou District
102300 Beijing, China
Tel: +86 (10) 8893 9660
info@pce-instruments.cn
www.pce-instruments.cn

Turkey

PCE Teknik Cihazları Ltd.Şti.
Halkalı Merkez Mah.
Pehlivan Sok. No.6/C
34303 Küçükçekmece - İstanbul
Türkiye
Tel: 0212 471 11 47
Faks: 0212 705 53 93
info@pce- cihazlari.com.tr
www.pce-instruments.com/turkish

Spain

PCE Ibérica S.L.
Calle Mayor, 53
02500 Tobarra (Albacete)
España
Tel. : +34 967 543 548
Fax: +34 967 543 542
info@pce-iberica.es
www.pce-instruments.com/espanol

Italy

PCE Italia s.r.l.
Via Pesciatina 878 / B-Interno 6
55010 Loc. Gragnano
Capannori (Lucca)
Italia
Telefono: +39 0583 975 114
Fax: +39 0583 974 824
info@pce-italia.it
www.pce-instruments.com/italiano

Hong Kong

PCE Instruments HK Ltd.
Unit J, 21/F., COS Centre
56 Tsun Yip Street
Kwun Tong
Kowloon, Hong Kong
Tel: +852-301-84912
jyi@pce-instruments.com
www.pce-instruments.cn