



User Manual

Digital Thermometer PCE-T 318



User manuals in various languages (français, italiano, español, português, nederlands, türk, polski, русский, 中文) can be found by using our product search on: www.pce-instruments.com

Last change: 7 February 2018
v1.0



Contents

1	Safety notes	1
2	Introduction	2
3	Specifications	2
4	Symbol Definition and Button Location	3
5	Operation Instructions	4
5.1	Power-Up.....	4
5.2	Connection of the temperature probe.....	5
6	Selecting the Temperature Scale	5
7	Data-Hold Operation	5
8	Back light Operation	5
9	Relative Operation	5
10	MAX/MIN/AVG Operation	6
11	Auto Power Off	6
12	Low Battery Condition	6
13	Temperature Measurement	7
13.1	Correct Measurement Method.....	7
13.2	Connector Configuration.....	7
14	Temperature Meter Calibration Setup	8
15	Pt type selection	9
16	0 °C Calibration	10
17	Recall Default factory setting value	11
18	Maintenance	13
18.1	Replacing the Batteries.....	13
18.2	Cleaning.....	13
19	Temperature Probe	14
19.1	Piercing type temperature probe.....	14
19.2	Piercing type temperature probe Specification.....	14
20	Delivery contents	14
21	Contact	15
22	Disposal	15

1 Safety notes

Please read this manual carefully and completely before you use the device for the first time. The device may only be used by qualified personnel and repaired by PCE Instruments personnel. Damage or injuries caused by non-observance of the manual are excluded from our liability and not covered by our warranty.

- The device must only be used as described in this instruction manual. If used otherwise, this can cause dangerous situations for the user and damage to the meter.
- The instrument may only be used if the environmental conditions (temperature, relative humidity, ...) are within the ranges stated in the technical specifications. Do not expose the device to extreme temperatures, direct sunlight, extreme humidity or moisture.
- Do not expose the device to shocks or strong vibrations.
- The case should only be opened by qualified PCE Instruments personnel.
- Never use the instrument when your hands are wet.
- You must not make any technical changes to the device.
- The appliance should only be cleaned with a damp cloth. Use only pH-neutral cleaner, no abrasives or solvents.
- The device must only be used with accessories from PCE Instruments or equivalent.
- Before each use, inspect the case for visible damage. If any damage is visible, do not use the device.
- Do not use the instrument in explosive atmospheres.
- The measurement range as stated in the specifications must not be exceeded under any circumstances.
- Non-observance of the safety notes can cause damage to the device and injuries to the user.

We do not assume liability for printing errors or any other mistakes in this manual.

We expressly point to our general guarantee terms which can be found in our general terms of business.

If you have any questions please contact PCE Instruments. The contact details can be found at the end of this manual.



2 Introduction

This instrument is a digital thermometer for use with platinum-type temperature sensor. Temperature indication follows IEC751 temperature table for PT-type sensor.

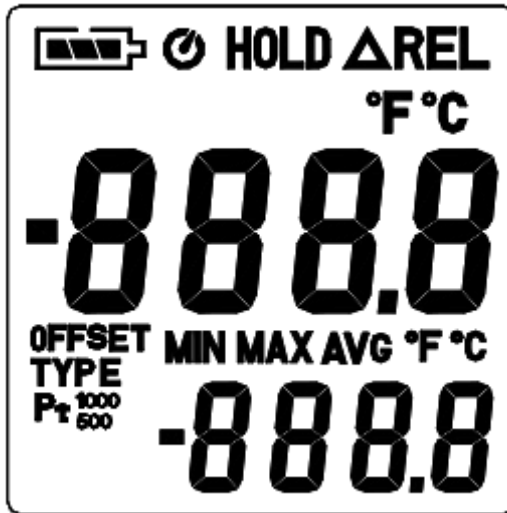
3 Specifications



Numerical Display	4 digital liquid crystal display	
Measurement Range	-100 °C ... 300 °C; -148 °F ... 572 °F	
Resolution	0.1 °C; 0.1 °F	
Sensor types	Platinum resistance temperature sensor for pt-100, pt-500, pt-1000 (selectable) 4 wires. ALPHA = 0.003850	
Measurement current	Approx 0.53mA	
Maximum Voltage at Temperature couple Input	60V DC or 24Vrms AC	
Environmental	<ul style="list-style-type: none">• Operating Temperature and Humidity: 0 °C ... 50 °C (32 °F ... 122 °F); 0 ... 80% RH• Storage Temperature and Humidity: -10 °C ... 60 °C (14 °F ... 140 °F); 0 ... 80% RH• Altitude up to 2000 meters.	
Accuracy	-148 °F ... 572 °F	±(0.1% reading + 0.8°F)
	-100 °C ... 300 °C	±(0.1% reading + 0.4°C)
Temperature Coefficient	For ambient temperatures from 0°C ~ 18°C and 28°C ~ 50°C, for each °C ambient below 18°C or above 28°C add the following tolerance into the accuracy spec. 0.01% of reading + 0.03°C (0.01% of reading + 0.06°F)	
Sample Rate	2 times per second	
Water resistance	IP67	
Dimension	150 x 66 x 31mm	
Weight	175g	
Option	Connection Cable	
Power requirement	Battery 1.5V X 3 size AAA	
Battery Life	Approx. 100hours with alkaline battery	

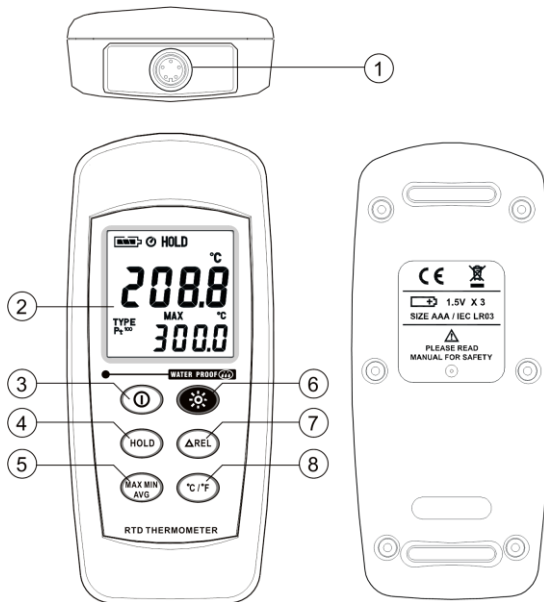
Note:

The basic accuracy Specification does not include the error of the probe please refer to the probe accuracy specification for additional details.

4 Symbol Definition and Button Location



-	: This indicates that the minus temperature is sensed.
°C °F	: Centigrade and Fahrenheit indication.
Pt xxx	: Platinum Type Indication
HOLD	: This indicates that the display data is being hold.
MAX	: The Maximum value is now being displayed
MIN	: The Minimum value is now being displayed
AVG	: The Average value is now being displayed.
ΔREL	: The reading is now under Relative Mode.
	: The Battery power potential indication.
	: This indicates Auto Power Off is enabled.



- ,1 Pt type temperature sensor connector
- ,2 LCD display
- ,3 Power ON/OFF button
- ,4 HOLD button
- ,5 MAX MIN Average control button
- ,6 Back light button
- ,7 Relative readout button
- ,8 °C , °F control button

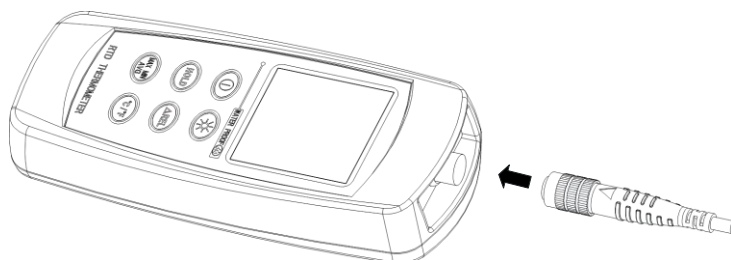
5 Operation Instructions

5.1 Power-Up

Press the **ON/OFF** key to turn the thermometer ON or OFF.

5.2 Connection of the temperature probe

For measurement, plug the temperature probe into the input connectors.




6 Selecting the Temperature Scale

When the meter was first power on, the default scale setting is set at Celsius (°C) scale. The user may change it to Fahrenheit (°F) by pressing “°C/°F” button and vice versa to Celsius.

7 Data-Hold Operation

The user may hold the present reading and keep it on the display by pressing the “HOLD” button. When the hold data is no longer needed, one may release the data-hold operation by pressing “HOLD” button again.

When the meter is under Data Hold operation, the “ΔREL”,  and “°C/°F” button are disabled.

8 Back light Operation

Press the “Back Light” button will turn back light on and Press it once again will turn off. The meter will turn back light off if there is no push “Back Light” button for 10 seconds.

9 Relative Operation

When one press the “ΔREL” button, the meter will memorize the present reading and the difference between the new reading and the memorized data will be shown on the display. Press the “ΔREL” button again to exit the Relative operation.

10 MAX/MIN/AVG Operation

When you press the “MAX MIN” button the meter will enter the MAX/MIN/AVG mode. Under this mode the maximum value, minimum value and average value of latest 8 data is kept in the memory simultaneously and updated with every new data.

When the MAX symbol is display, the Maximum is shown on the display.

Press “MAX MIN” again, then the MIN symbol is on the display and also the minimum reading.

Press “MAX MIN” again, the AVG symbol is on the display and also the average reading.

Press “MAX MIN” again, MAX, MIN and AVG will blink together. This means that all these data is updated in the memory and the reading is the present temperature.

One may press “MAX MIN” to circulate the display mode among these options.

When the meter is under “MAX MIN” operation, “ Δ REL” and “ $^{\circ}$ C/ $^{\circ}$ F” are disabled.

To exit the MAX/MIN mode, one may press and hold “MAX MIN” for two seconds.


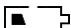
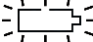
11 Auto Power Off

By default, when the meter is powered on, it is under auto power off mode. The meter will power itself off after 30 minutes if no key operation.

One may press and hold “HOLD” button and then power on the meter and there will be two successive beeps to indicate that auto power off is disabled.

12 Low Battery Condition

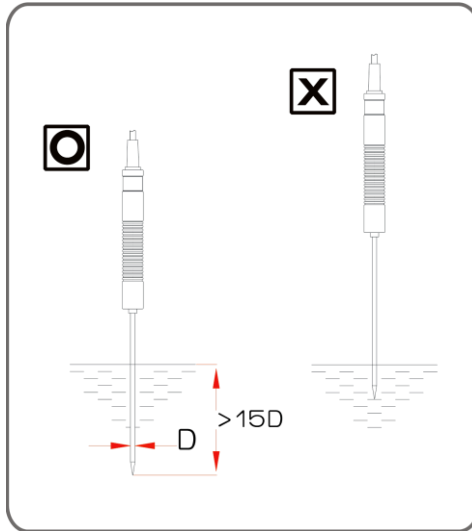
The temperature meter incorporates visual low battery indication as follows:

	Battery OK, measurements are possible.
	Battery Low, battery needs to be replaced, measurements are still possible.
	Battery exhausted, the battery need to replaced with new one(size AAA, 1.5V x 3).

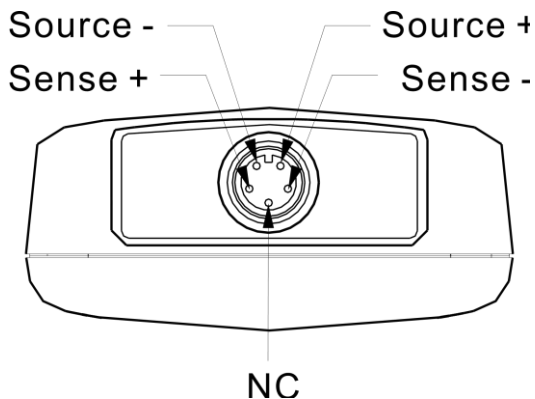
13 Temperature Measurement

13.1 Correct Measurement Method

The temperature sensor is located at the end of the metal sheath of the sheath type TEMPERATURE PROBE. To accurately test internal temperature insert the probe into the item you want to measure to a distance at least 15 times the diameter of the sheath.

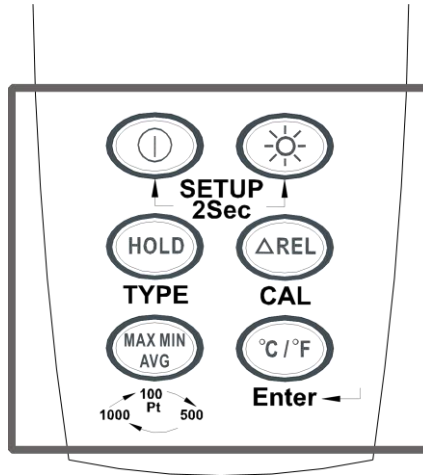


13.2 Connector Configuration



14 Temperature Meter Calibration Setup

Below table diagram shows each button function when user enter into calibration mode.

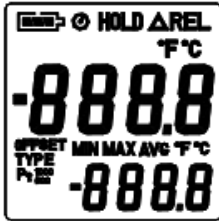


Note:

Turn the Power "OFF" before attempting following SETUP.

Setup mode is cancelled during below procedure if "POWER" button is pressed.

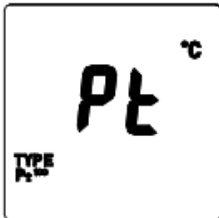
15 Pt type selection



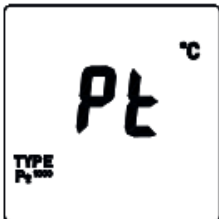
Press and hold "Power" + "Light" buttons for 2 seconds to enter setup mode.



Press "Hold" button to enter Pt selection mode.

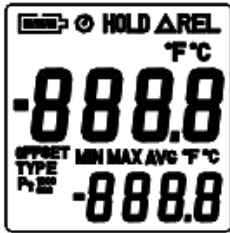


Press "Max" button to select between Pt probe type.
(Pt100, Pt500, Pt1000 is circulate)



Press "°C/°F" button to confirm selection.

16 0 °C Calibration



Press and hold "Power" + "Light" buttons for 2 seconds to enter setup mode.



Press "REL" button to enter calibration mode. Enter Pt selection first.



Press "°C/°F" button to confirm Pt selection



Press "REL" button to enter calibration mode.

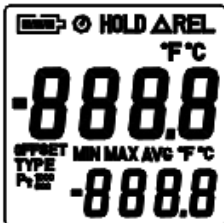


Press "REL" button to confirm present calibration value.



Press "°C/°F" button to confirm selection.

17 Recall Default factory setting value



Press and hold "Power" + "Light" buttons for 2 seconds to enter setup mode.



Press "REL" button to enter calibration mode. Enter Pt selection first.



Press “°C/°F” button to confirm Pt selection.



Press “Light” button to enter recall mode.



Press “°C/°F” button to confirm revert back to “Default factory setting value”



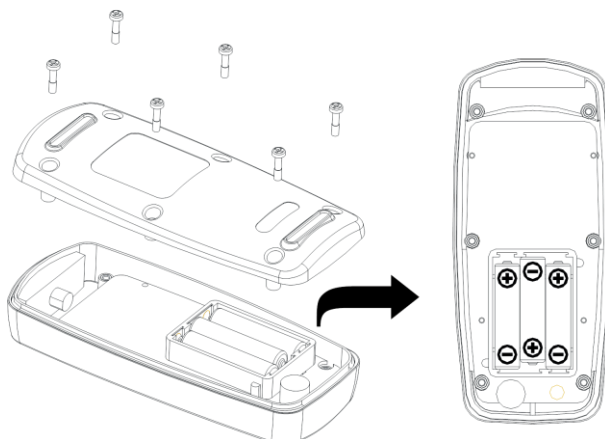
Press “°C/°F” button to confirm selection.

18 Maintenance

18.1 Replacing the Batteries

- (1) Remove back cover screw to remove cover. Verify polarity and install new LR03(AAA size) alkaline batteries.
- (2) Fit cover properly and tighten screw.

The unit's back cover is fitted with rubber rings. After replacing the battery, check that the rubber rings are properly seated before reinstalling the back cover. Improper seating of the rubber rings will compromise the unit's water-resistant structure, and possibly result in damage to the equipment.



18.2 Cleaning

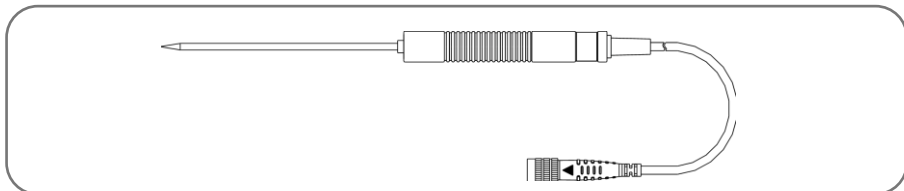
In order to ensure the accuracy of the thermometer for a longer period of time you should calibrate it once a year.

Clean the device and the window of the display with a clean, lint-free, antistatic and dry cleaning cloth.

Do not use cleaning agents that contain carbon or benzenes, alcohol or anything similar to clean the product since these substances damage the surface of the measuring instrument. Moreover, these fumes are hazardous to health and explosive. Do not use tools with sharp edges, screwdrivers, metal brushes or anything similar to clean the device.

19 Temperature Probe

19.1 Piercing type temperature probe



19.2 Piercing type temperature probe Specification

Sensor Type	Platinum resistance thermometer sensor Pt 100(4 wires)
Accuracy	IEC751, class A $\pm 0.15^{\circ}\text{C} \pm 0.002t$ (t: measurement temperature)
Measurement Range	-100 to 400°C
Temperature Sensor Dimensions	Approx. $\varnothing 3.2\text{mm} (\varnothing 0.125\text{'})$
Temperature Sensor Length	Approx. 120 mm (4.72")
Cable Length	Approx. 1100 mm (43.3")
Water-resistant	EN60529:1991 IP67

20 Delivery contents

- 1 x digital thermometer PCE-T 310
- 1 x Pt-100 Probe (class A)
- 3 x AAA battery
- 1 x user manual

21 Contact

If you have any questions, suggestions or technical problems, please do not hesitate to contact us. You will find the relevant contact information at the end of this user manual.

22 Disposal

For the disposal of batteries in the EU, the 2006/66/EC directive of the European Parliament applies. Due to the contained pollutants, batteries must not be disposed of as household waste. They must be given to collection points designed for that purpose.

In order to comply with the EU directive 2012/19/EU we take our devices back. We either reuse them or give them to a recycling company which disposes of the devices in line with law.

For countries outside the EU, batteries and devices should be disposed of in accordance with your local waste regulations.

If you have any questions, please contact PCE Instruments.





PCE Instruments contact information

Germany

PCE Deutschland GmbH
Im Langel 4
D-59872 Meschede
Deutschland
Tel.: +49 (0) 2903 976 99 0
Fax: +49 (0) 2903 976 99 29
info@pce-instruments.com
www.pce-instruments.com/deutsch

France

PCE Instruments France EURL
23, rue de Strasbourg
67250 SOULTZ-SOUS-FORETS
France
Téléphone: +33 (0) 972 3537 17
Numéro de fax: +33 (0) 972 3537 18
info@pce-france.fr
www.pce-instruments.com/french

Spain

PCE Ibérica S.L.
Calle Mayor, 53
02500 Tobarra (Albacete)
España
Tel. : +34 967 543 548
Fax: +34 967 543 542
info@pce-iberica.es
www.pce-instruments.com/espanol

United States of America

PCE Americas Inc.
711 Commerce Way suite 8
Jupiter / Palm Beach
33458 FL
USA
Tel: +1 (561) 320-9162
Fax: +1 (561) 320-9176
info@pce-americas.com
www.pce-instruments.com/us

United Kingdom

PCE Instruments UK Ltd
Units 12/13 Southpoint Business Park
Ensign Way, Southampton
Hampshire
United Kingdom, SO31 4RF
Tel: +44 (0) 2380 98703 0
Fax: +44 (0) 2380 98703 9
info@industrial-needs.com
www.pce-instruments.com/english

Italy

PCE Italia s.r.l.
Via Pesciatina 878 / B-Interno 6
55010 LOC. GRAGNANO
CAPANNORI (LUCCA)
Italia
Telefono: +39 0583 975 114
Fax: +39 0583 974 824
info@pce-italia.it
www.pce-instruments.com/italiano

The Netherlands

PCE Brookhuis B.V.
Institutenweg 15
7521 PH Enschede
Nederland
Telefoon: +31 (0)53 737 01 92
Fax: +31 53 430 36 46
info@pcebenelux.nl
www.pce-instruments.com/dutch

Chile

PCE Instruments Chile S.A.
RUT: 76.154.057-2
Santos Dumont 738, local 4
Comuna de Recoleta, Santiago, Chile
Tel. : +56 2 24053238
Fax: +56 2 2873 3777
info@pce-instruments.cl
www.pce-instruments.com/chile

Hong Kong

PCE Instruments HK Ltd.
Unit J, 21/F., COS Centre
56 Tsun Yip Street
Kwun Tong
Kowloon, Hong Kong
Tel: +852-301-84912
jji@pce-instruments.com
www.pce-instruments.cn

China

PCE (Beijing) Technology Co.,Ltd
1519 Room, 6 Building
Men Tou Gou Xin Cheng,
Men Tou Gou District
102300 Beijing
China
Tel: +86 (10) 8893 9660
info@pce-instruments.cn
www.pce-instruments.cn

Turkey

PCE Teknik Cihazları Ltd.Şti.
Halkalı Merkez Mah.
Pehlivan Sok. No.6/C
34303 Küçükçekmece - İstanbul
Türkiye
Tel: 0212 471 11 47
Faks: 0212 705 53 93
info@pce-cihazlari.com.tr
www.pce-instruments.com/turkish