



# Data Sheet

## Wind Speed Alarm Controller

PCE-WSAC 50

PCE Instruments UK Ltd  
Units 12/13 Southpoint Business Park  
Ensign Way, Southampton, Hampshire  
United Kingdom, SO31 4RF  
Phone +44 ( 0 ) 2380 98703 0  
Fax +44 ( 0 ) 2380 98703 9  
e-mail: [info@industrial-needs.com](mailto:info@industrial-needs.com)  
[www.pce-instruments.com/english](http://www.pce-instruments.com/english)

EN

## Description

PCE-WSAC 50 is a wind speed meter alarm controller that displays the current wind speed as well as the average wind speed of the last 2 and 5 minutes. A pre-alarm and full alarm can be activated based on preset values. If wind speeds are higher than the preset values, a pre-alarm is first applied before the full alarm is issued. Both alarms are delivered visually and audibly. If the pre-alarm is triggered, a yellow LED will flash on the front of the unit and a beep will periodically be emitted as a warning tone. If the full alarm is triggered, a red LED will flash on the front of the unit and a beep will continuously be emitted.



PCE-WSAC 50 allows measurement of the slightest of wind movements. This wind speed meter alarm controller is used for a variety of wind monitoring applications in

industries such as construction, mining, renewable energy and manufacturing. If necessary, a relay can also be connected to the controller.

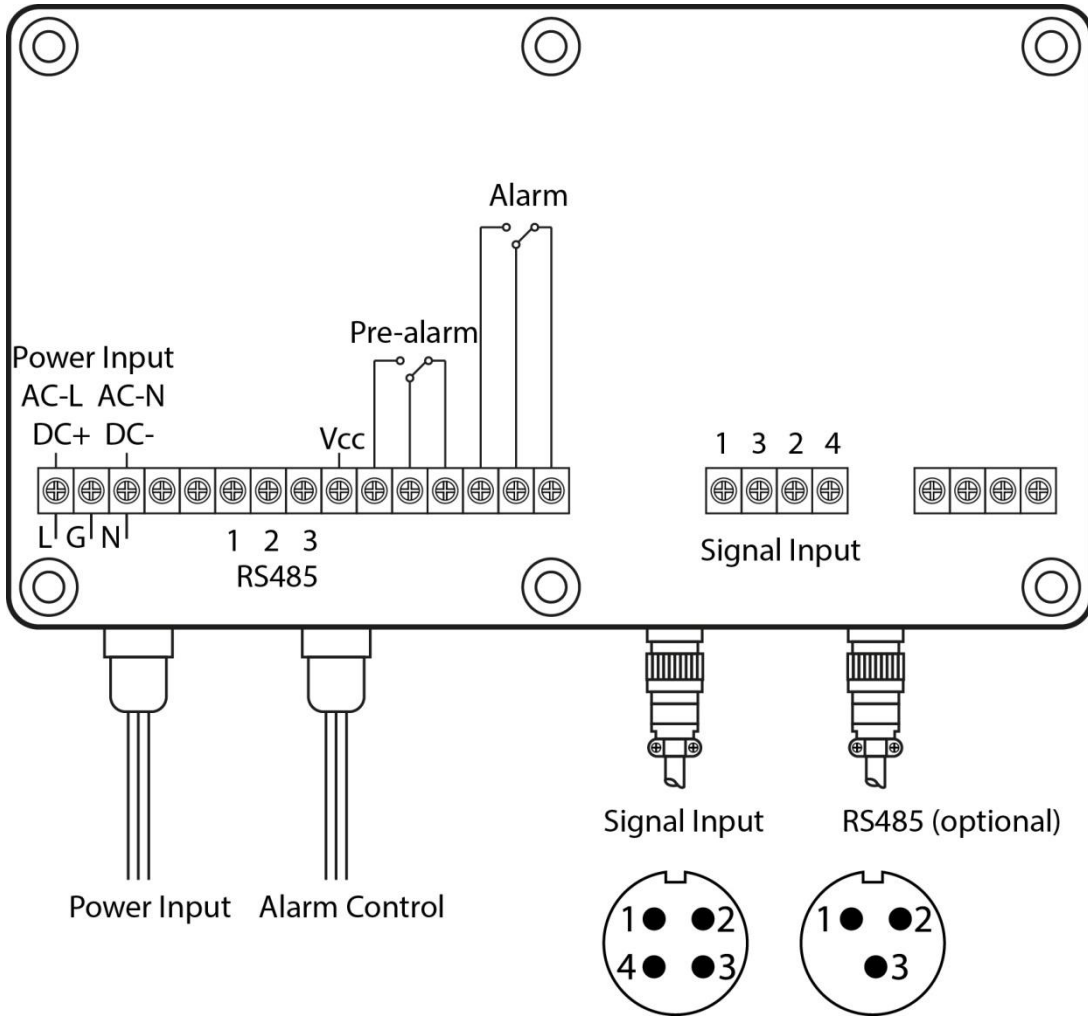
## Highlights

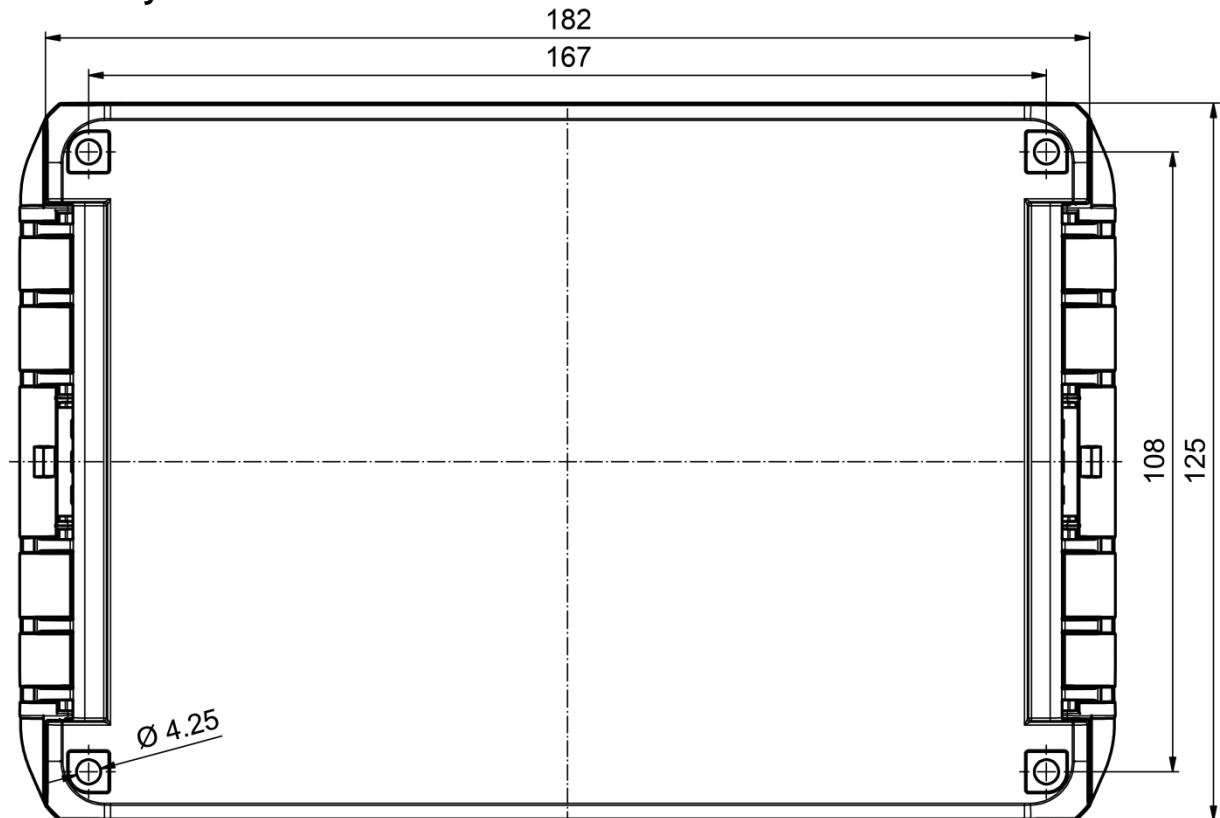
- Pre-alarm and full alarm with visual and audible warnings
- Allows measurement of the slightest wind movements
- Displays current wind speed and average wind speed of last 2 and 5 minutes
- Optional RS-485 modbus interface for data communication
- Bright, easy-to-read LED display

## Specification

Power supply	115 V AC 230 V AC 24 V DC
Supply voltage for sensors (output)	12 V DC 24 V DC
Measuring range	0 ... 50 m/Sek.
Measuring accuracy	±3 % vom Messbereich
Signal input (selectable)	4 ... 20 mA 0 ... 5 / 10 V
Alarm relay	2 x Wechsler 220 V AC / 10 A
Optional interface	RS485
Operating temperature	-20 ... +60 °C
Dimensions	197,5 x 90 x 45 mm
Weight	Approx. 400 g / 0.89 lb

## Electrical wiring



**Assembly****Delivery Scope**

- 1 x PCE-WSAC 50 Wind Speed Alarm Controller
- 1 x User manual
- 1 x Calibration certificate

**Note: Sensors sold separately**

**Product link**

[www.pce-instruments.com/english](http://www.pce-instruments.com/english)

**Subject to technical changes and errors.**