



# Data Sheet

## Ultrasonic Flow Meter

PCE-TDS 100H/HS

PCE Americas Inc. 711 Commerce Way Suite 8 Jupiter FL-33458 USA From outside US: +1 Tel: (561) 320-9162 Fax: (561) 320-9176 info@pce-americas.com	PCE Instruments UK Ltd. Units 12/13 Southpoint Business Park Ensign way Hampshire / Southampton United Kingdom, SO31 4RF From outside UK: +44 Tel: (0) 2380 98703 0 Fax: (0) 2380 98703 9 info@pce-instruments.com
--	---

EN [www.pce-instruments.com/english](http://www.pce-instruments.com/english)  
[www.pce-instruments.com](http://www.pce-instruments.com)

---

## Areas of application

The ultrasonic flow meter can be used for metallic, plastic and rubber tubes.

### 1 Delivery content

- 1 x ultrasonic flow meter
- 2 x sensor (depending on model)
- 2 x 5 m connection cable
- 2 x releasable cable tie
- 1 x mains adaptor
- 1 x coupling gel
- 1 x PCE measuring tape
- 1 x carrying case
- 1 x user manual
- 1 x software on SD card
- 1 x factory calibration certificate

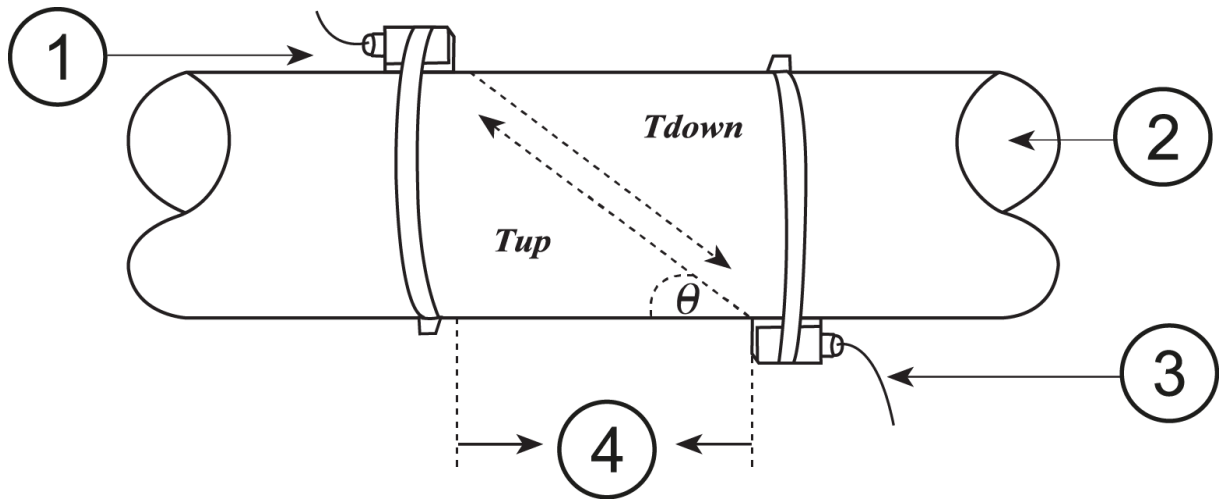
### 2 System description

- ideal for retrofitting
- installation without process interruption
- easy installation
- accurate and reliable
- no pressure loss
- maintenance-free, no mobile parts
- non-wearing
- hand-held device for control measurements

### 3 Technical specifications of the PCE-TDS 100H/HS

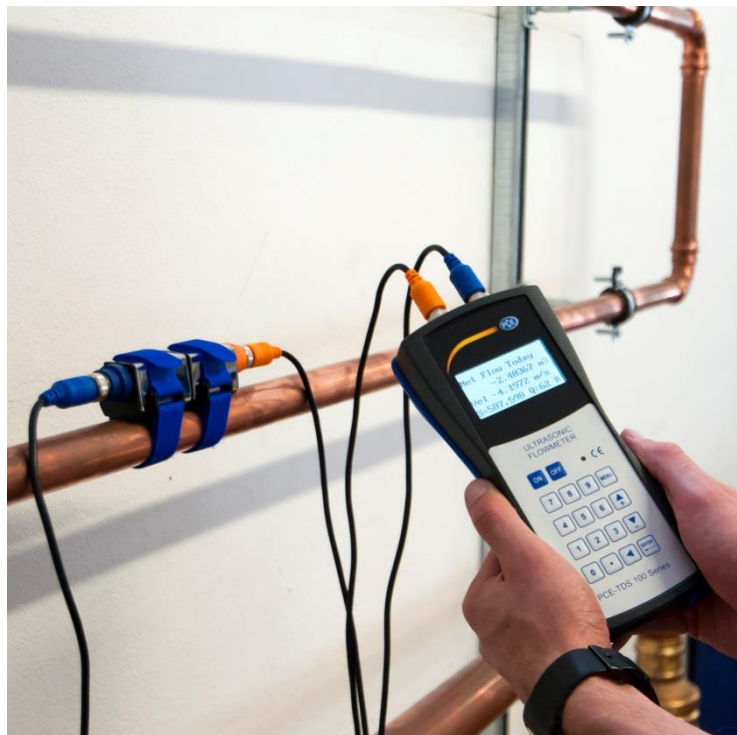
<b>Model</b>	PCE-TDS 100 Series
<b>Measurement range</b>	-32 ... +32 m/s
<b>Resolution</b>	0.0001 m/s
<b>Resolution</b>	±1 % of measured value @ v >0.2 m/s
<b>Linearity</b>	0.5 % @ v >0.2 m/s
<b>Repeatability</b>	0.2 % @ v >0.2 m/s
<b>Media</b>	All liquids with an impurity of <5 % and a flow of >0.03m <sup>3</sup> /h
<b>Flow units</b>	Cubic metre [m <sup>3</sup> ] Litre [l] Gallon (USA) [gal] Imperial Gallon (UK) [igl] Million USA Gallons [mgal] Cubic foot [cf] Barrel (USA) [bal] Imperial Barrel (UK) [ib] Oil Barrel [ob] The time can be per day [/d], per hour [/h], per minute [/m] and per second [/s]
<b>Data logger</b>	1800 measuring data
<b>Interface</b>	USB (for online measurement and to read out internal memory)
<b>Protection class</b>	IP 52
<b>Power supply</b>	3 x rechargeable AA NiMH batteries / 2100 mAh (operating hours 12 h when fully charged) 100...240 V AC 50/60 H
<b>Dimensions</b>	214 x 104 x 40 mm
<b>Weight</b>	450 g

#### 4 Technical drawing







- 1) Downstream sensor
- 2) Flow direction
- 3) Upstream sensor
- 4) Spacing

#### 5 In-use picture



## 6 Order code PCE-TDS 100H/HS

Type of sensor	S1	M1	HS	HM
				
Order no. sensor	TDS-S1	TDS-M1	TDS-HS	TDS-HM
Order no. hand-held device + sensor	PCE-TDS 100-1	PCE-TDS 100-2	PCE-TDS 100-3	PCE-TDS 100-4
Sensor cable length	5m	5m	5m	5m
Nominal diameter	DN 15 ... DN 100 20 ... 108 mm	DN 50 ... DN 700 57 ... 720 mm	DN 15 ... DN 100 20 ... 108 mm	DN 50 ... DN 700 57 ... 720 mm
Liquid temperature	-30 ... 160 °C	-30 ... 160 °C	-30 ... 160 °C	-30 ... 160 °C
Dimensions	45 x 30 x 30 mm	60 x 45 x 45 mm	200 x 25 x 25 mm	280 x 40 x 40 mm
Weight	75 g	260 g	250 g	1080 g