

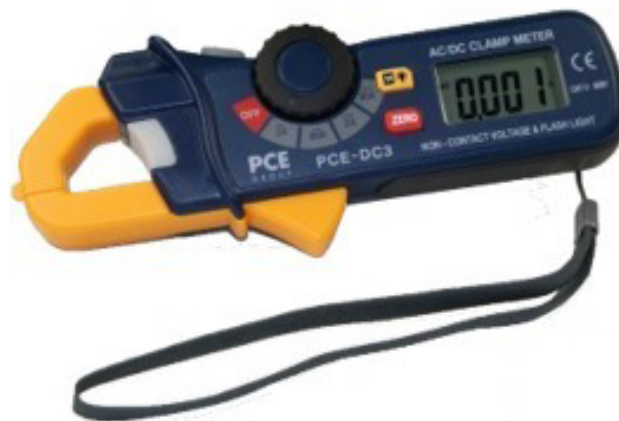
PCE Americas Inc.
711 Commerce Way
Suite 8
Jupiter
FL-33458
USA
From outside US: +1
Tel: (561) 320-9162
Fax: (561) 320-9176
info@pce-americas.com

PCE Instruments UK Ltd.
Units 12/13
Southpoint Business Park
Ensign way
Hampshire / Southampton
United Kingdom, SO31 4RF
From outside UK: +44
Tel: (0) 2380 98703 0
Fax: (0) 2380 98703 9
info@pce-instruments.com

www.pce-instruments.com/english
www.pce-instruments.com

Inspection Camera KIT PCE-DC 3 KIT 2

Manual PCE-DC 3 Clamp Meter



CONTENT

1. FEATURES	3
2. SPECIFICATIONS	3
3. METER DESCRIPTION	3
4. SAFETY INFORMATION	4
5. OPERATION	4
6. FLASHLIGHT	4
7. DATA HOLD	4
8. BACKLIGHT DISPLAY	5
9. AUTO POWER OFF	5
10. BATTERY REPLACEMENT	5

1. Features

- High resolution to 1mA AC
- 3-2/3 digit (2400 count) LCD display
- White LED backlight
- Built-in non-contact AC voltage detector plus flashlight
- Autoranging with auto power off
- 0.7" (18mm) Jaw opening

2. Specifications

● General Specifications

Display	3-2/3 (2400 count) Digit LCD with white LED backlight		
Polarity	Minus sign (-) indicates negative polarity		
Current sensor	Hall effect sensor type		
Overload indication	"OL" displayed on the LCD		
DCA zero adjust	One touch zero key		
Display rate	2 readings/second, nominal		
Battery	Two 1.5V AAA batteries		
Low Battery indication	"BATT" displayed on the LCD		
Auto OFF	approx. 7 minutes		
Operating conditions	32°F to 86°F (0°C to 30°C) 90%RH; 86°F to 104°F (30°C to 40°C) 75%RH; 104°F to 122°F (40°C to 50°C) 45%RH		
Storage conditions	- 14°F to 140°F (-30°C to 60°C); < 90% Relative Humidity		
Altitude	Operate at less than 3000 meters		
Weight	6.2 oz. (175g) including battery		
Dimensions	164 x 65 x 32mm (6.5 x 2.6 x 1.3") (HXWXD)		
Jaw opening	18mm (0.7")		
Standards	EN61010-1, EN61010-2-032 Category II 600V, Category III 300V		

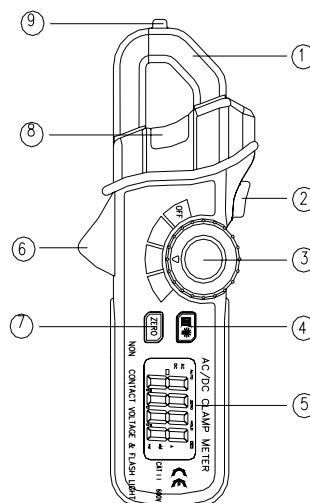
CE

● Range Specifications


Function	Range	Resolution	Accuracy (of reading)
DC Current	2A	1mA	± (2.8% + 10 digits)
	80A	100mA	±(3.0% + 8digits)
AC Current (50/60Hz)	2A	1mA	±(3.0% + 10 digits)
	80A	100mA	±(3.0% + 8 digits)
Non-Contact AC Voltage	100VAC to 600VAC 50/60Hz		


3. Meter Description

1. Current sense jaw
2. Flashlight button
3. Rotary function switch
4. Data HOLD and Backlight key
5. LCD display
6. Clamp trigger
7. One-touch DCA ZERO key
8. Non-contact AC voltage indicator light
9. Non-contact AC voltage detector probe tip



4. Safety Information

 Caution! Refer to the explanation in this Manual

 Double Insulation

This meter has been designed to be safe in use, but the operator must use caution in its operation. The rules listed below should be carefully followed for safe operation.

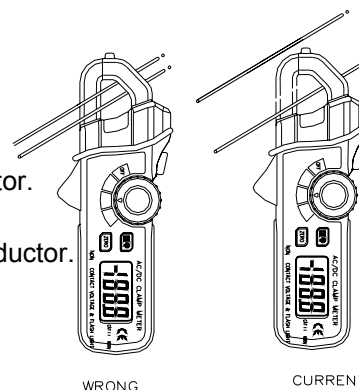
1. **NEVER** apply voltage or current to the meter that exceeds the specified maximum:
2. **USE EXTREME CAUTION** when working with voltages greater than 25VAC rms. These voltages are considered a shock hazard.
3. **NEVER** operate the meter unless the back cover and the battery/fuse door are in place and fastened securely

Input Limits	
Function	Maximum Input
AC Current	80A
DC Current	±80A

5. Operation

AC Current Measurements

- 1) Set the Function switch to the ACA range.
- 2) Press the jaw trigger and clamp around, fully enclosing a single conductor.
- 3) Do not allow a gap between the two halves of the jaw.
- 4) Refer to the diagram at right for the correct way to enclose a single conductor.
- 5) Read the ACA value on the LCD.



DC Current Measurements

- 1) Set the Function switch to the DCA range.
- 2) Press the ZERO key to null the meter display.
- 3) Press the Trigger to open the current sense Jaw.
- 4) Fully enclose the conductor to be measured.
- 5) Do not allow a gap between the two halves of the jaw.
- 6) Read the DCA value on the LCD.

Non-Contact AC Voltage Measurements

WARNING: Risk of Electrocution. Before use, always test the Voltage Detector on a known live circuit to verify proper operation

- 1) Touch the probe tip to the hot conductor or insert into the hot side of the electrical outlet.
- 2) If AC voltage is present, the detector light will illuminate.

NOTE: The conductors in electrical cord sets are often twisted. For best results, rub the probe tip along a length of the cord to assure placing the tip in close proximity to the live conductor.

NOTE: The detector is designed with high sensitivity. Static electricity or other sources of energy may randomly trip the sensor. This is normal operation

6. Flashlight

Press and hold the top button to turn the flashlight on. Release the button to turn the flashlight off.

7. Data Hold

To freeze the current reading on the LCD, press the "Hold Backlight" key. The word HOLD will appear on the LCD while the meter is in the Data Hold mode. To release the Data Hold function and return the meter to normal operation, press the "Hold Backlight" key again. The word HOLD will switch off.



8. Backlight display

Press and hold the "Hold Backlight" key for more than 2 seconds to turn on the backlight. This will also activate the Data Hold function. To release the Data Hold function and return the meter to normal operation, press the Data Hold key momentarily. To turn off the backlight, press and hold the "Hold Backlight" key for more than 2 seconds

9. AUTO POWER OFF

The auto off feature will turn the meter off after 7 minutes.

10. Battery Replacement

- 1) When the low battery symbol appears on the LCD the batteries must be replaced.
- 2) Power down and remove the rear battery compartment Phillips screw.
- 3) Lift off the battery compartment cover and replace the two 1.5V AAA cells.
- 4) Replace compartment cover and secure the screw.

In this direction will find a vision of the measurement technique:

NOTE: "This instrument doesn't have ATEX protection, so it should not be used in potentially explosive atmospheres (powder, flammable gases)."