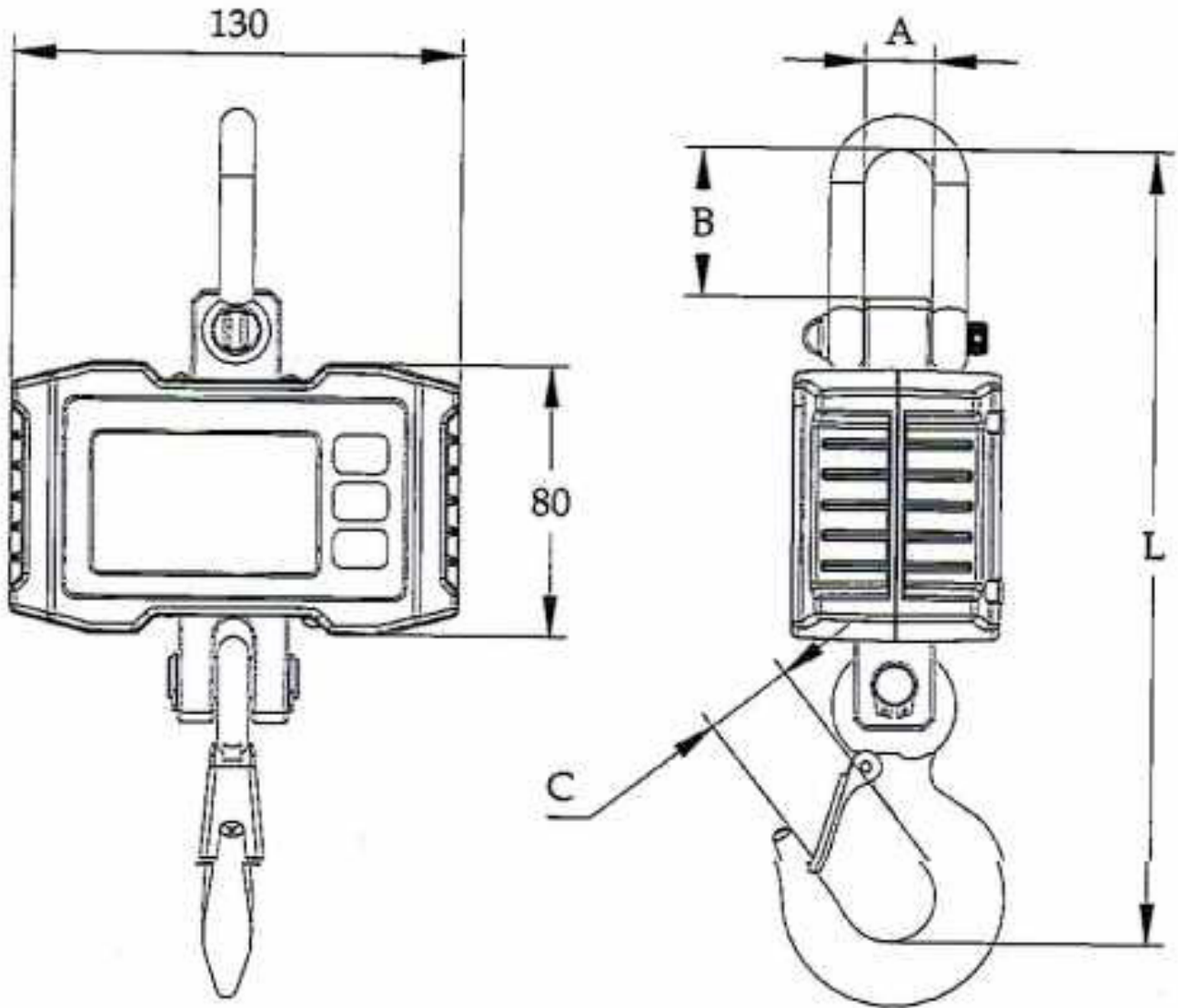


Crane Scales PCE-CS 1000N



Model PCE-CS 1000N	L	A	B	C	Max.Capacity	Weight
[mm]	420	20	43	27	1,000 kg	approx 1.4
[inch]	16.54	0.79	1.69	1.06	35,274.96 oz	49.38 oz