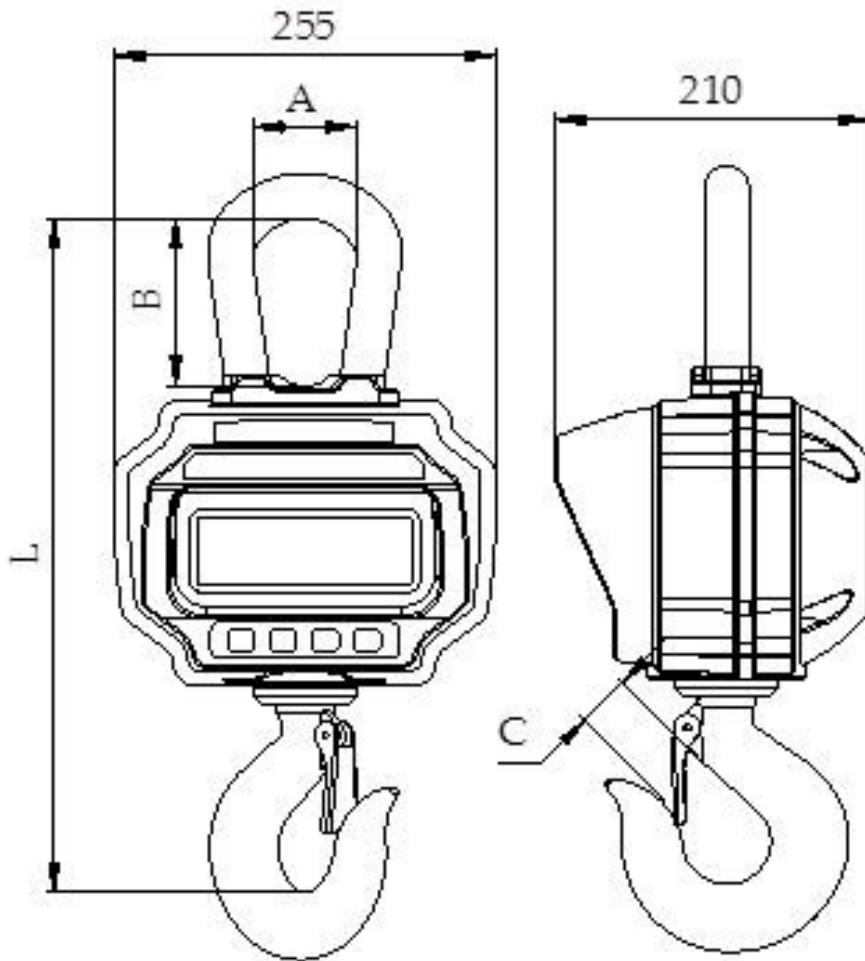


# Crane Scales PCE-CS 3000N



Model PCE-CS 3000N	L	A	B	C	Max.Capacity	Weight
[mm]	420	68	112	33	3,000 kg	approx 11 kg
[inch]	16.54	2.68	4.41	13.00	105,821.87 oz	388.01 oz