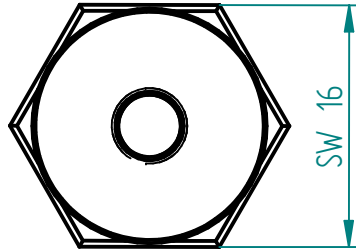
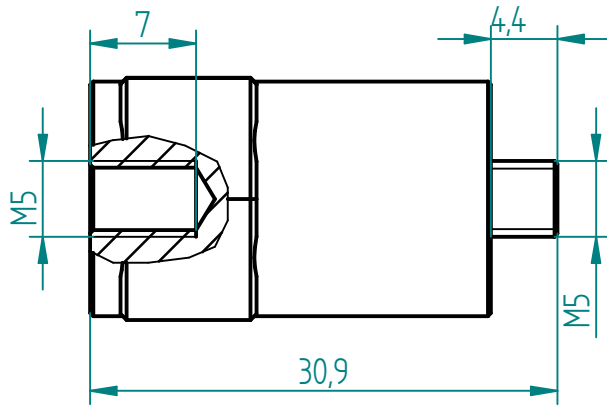
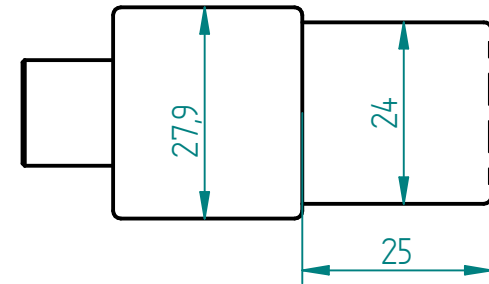
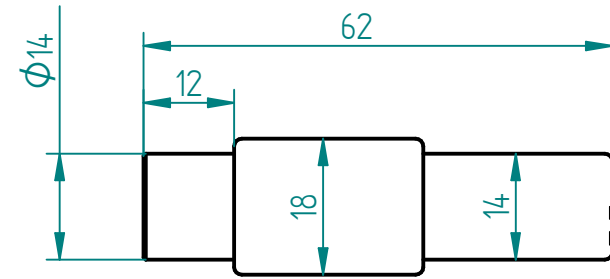


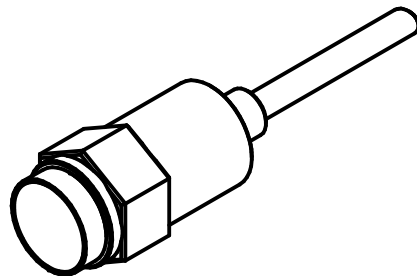
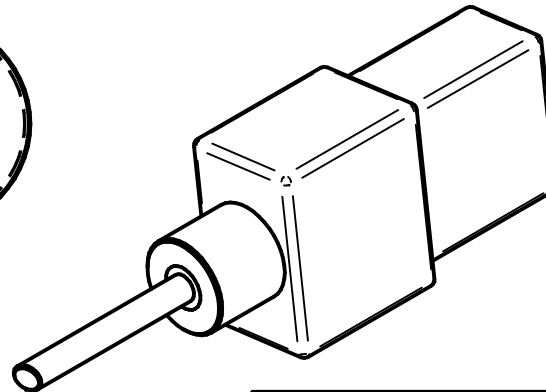
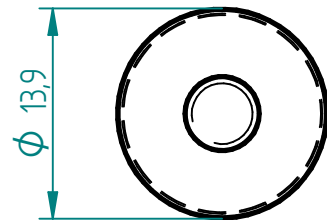
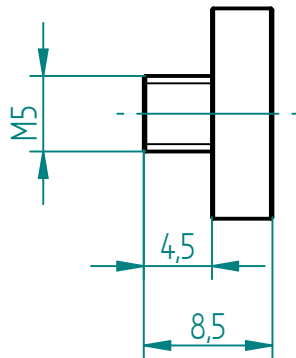
Sensor



Stecker



Magnetadapter



NAME		DATE		Solid Edge		
DRAWN	JBU	25.06.2019				
CHECKED						
ENG APPR						
MGR APPR						
				SIZE	DWG NO	REV
				A4		
FILE NAME: Vibrationssensor VB-83.dft						
SCALE: 1:1			WEIGHT:		SHEET 1 OF 1	