

Output and control options

DIGITAL PANEL METERS

PANEL METERS . OUTPUT AND CONTROL OPTIONS

Modular output and control options for panel meters from series PCE-DPD (except PCE-DPD-U). Relay outputs, transistor outputs, SSR control outputs, analog outputs, Modbus RTU communications, RS-485 and RS-232 communications.

Index

1.1 Read this first	2
1.2 Modular architecture.	2
1.3 Installation and start-up	2
1.4 To open the housing	3
1.5 Internal modules	3
1. Options PCE-DPD/R, PCE-DPD/T and PCE-DPD/SSR	4
2. Option PCE-DPD/AV	5
2.1 Configuration menu	6
2.2 Error codes	6
3. Option PCE-DPD/MB	7
3.1 Accessible registers.	7
3.2 Configuration menu	8
3.3 Exception codes.	8
3.4 Description and example of registers	9
4. Option PCE-DPD/485	10
4.1 Accessible registers.	10
4.2 Configuration menu	11
4.3 Frame types	12
4.4 Frame structure.	12
4.5 Error codes	12
4.7 Frame examples	13
4.7.1 Frames 'RD' (36) and 'ANS' (37)	13
4.7.2 Frames 'ERR' (38)	13
4.7.3 Frames 'PING' (32) and 'PONG' (33).	13
4.6 CRC calculation	13
5. Option PCE-DPD/232	14

1.1 Read this first

All modules mentioned in this document are compatible with digital panel meters PCE-DPD series (except multiinput panel meter PCE-DPD-U). Different series differ in the number of digits, the digit height and the number of output and control options they can accept.

The output and control modules mentioned in this document, are covered by the warranty of the instrument where they are installed. Check the user's manual of the instrument for more information related to warranty.



The user's manual of the instrument where the module is installed, has important information related to installation that applies also to the output and control modules mentioned in this document. Check the user's manual of the instrument for more information related to installation precautions.



The output and control modules mentioned in this document are covered by the 'CE declaration of conformity' of the instrument where they are installed. Check the user's manual of the instrument for more information related to the CE declaration of conformity.

1.2 Modular architecture

Digital panel meters from series M, K and S are designed following a modular architecture that allows the operator to install any of the output and control modules mentioned in this document.

1.3 Installation and start-up

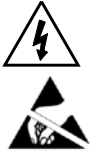
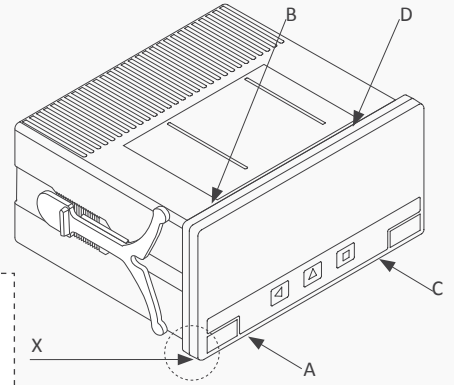
To install an optional output and control module into a digital panel meter from series PCE-DPD:

1. open the housing of the instrument (*see section 1.4*)
2. install the module at slot Opt.1', 'Opt.2' or 'Opt.3' as preferred and close the instrument
3. close the housing of the instrument (*see section 1.4*)
4. if needed, configure the appropriate jumpers at the module
5. connect the signal output terminals
6. configure the parameters at the 'Configuration menu'.
 - modules PCE-DPD/R, T1 and SSR are configured from the alarms menu of the instrument where the module has been installed
 - other modules are configured from its own configuration menu, accessible from menu entries 'Opt.1', 'Opt.2' or 'Opt.3', depending on the slot where the module has been installed.

1.4 To open the housing

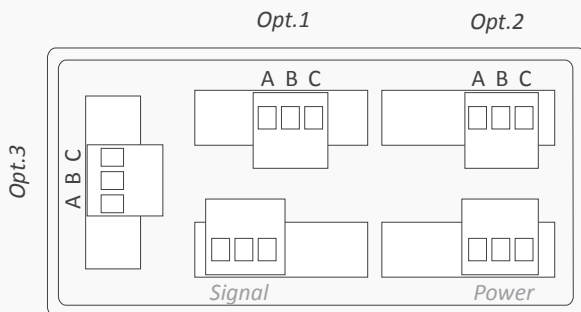
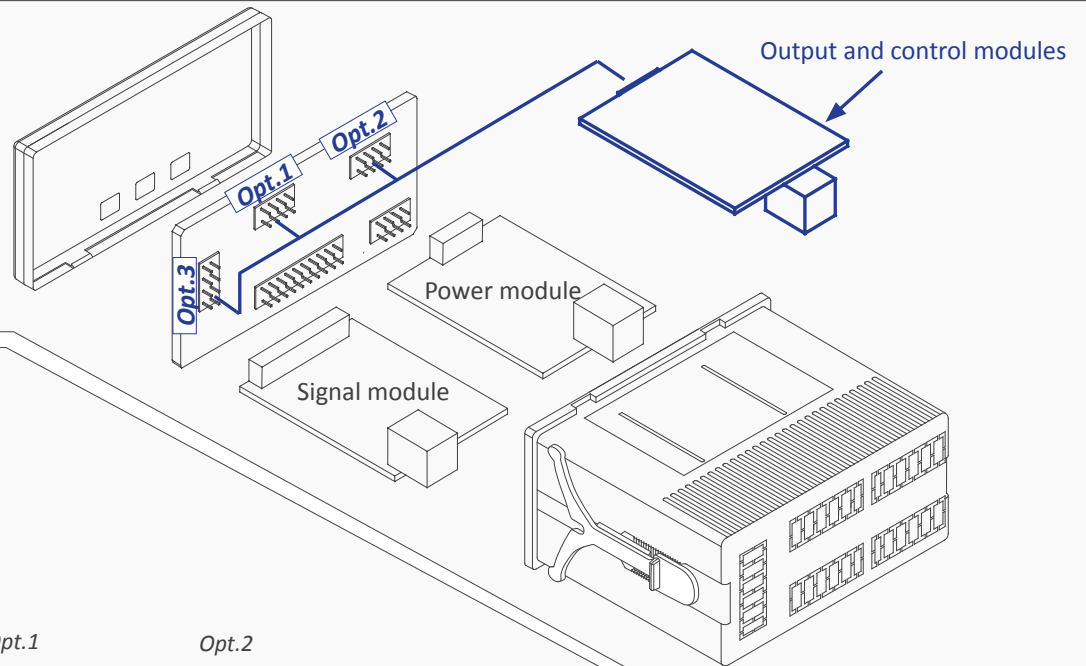
To open the housing and access the internal circuits, use a flat screwdriver to unlock clips 'D', 'C', 'B' and 'A', in this order. Remove the front filter. Let the inside of the instrument slide out of the housing.

To reinsert the instrument make sure that all modules are correctly connected to the pins on the display module. Place all the set into the housing, assuring that the modules correctly fit into the internal guiding slides of the housing. Once introduced, place again the front filter at cover 'X', and then insert clips 'A', 'B', 'C' and 'D', in this order.



Risk of electric shock. Removing the front cover will grant access to the internal circuits. Disconnect the power and the input signal to prevent electric shock to the operator. Operation must be performed by qualified personnel only. Observe precautions for handling ESD (electrostatic discharge) sensitive devices

1.5 Internal modules



rear view

1. Options PCE-DPD/R, PCE-DPD/T and PCE-DPD/SSR

Modules PCE-DPD/ALr1, PCE-DPD/T and PCE-DPD/SSR provide 1 digital 'on/off' output. The output is configured from the alarms configuration menu ('ALr.1', 'ALr.2' or 'ALr.3') of the instrument where the module is installed.

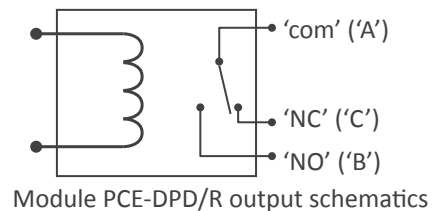
The menu allows to configure the setpoint, hysteresis, independent activation and deactivation delays, and a second setpoint to create

alarm windows.

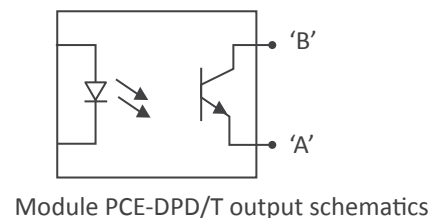
Modules PCE-DPD/R, PCE-DPD/T and PCE-DPD/SSR are isolated against all other instrument circuits, and isolated between them.

Note : for more than three relays per instrument or higher relay density per module, see special modules R2, R4 and R6.

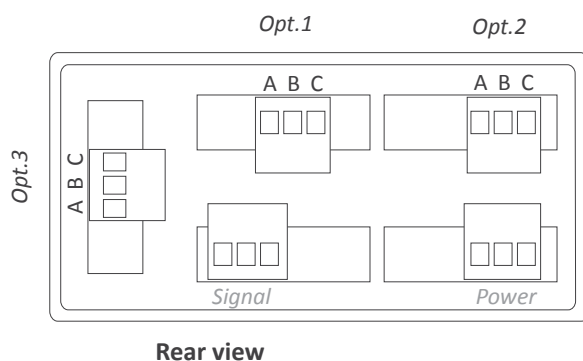
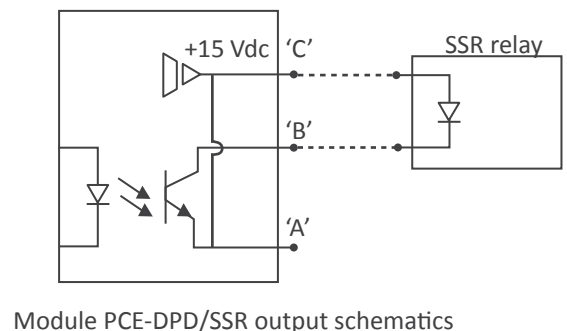
Option	PCE-DPD/R
Output type	relay
Relay type	3 contact relay (NC, NO, common)
Maximum current	8 A (resistive load)
Maximum voltage	250 Vac continuous
Isolation	3500 Veff
Type of terminal	plug-in screw terminal pitch 5.08 mm
Installation allowed at	'Opt.1', 'Opt.2', 'Opt.3'



Option	PCE-DPD/T
Output type	transistor
Maximum voltage	35 Vdc
Maximum current	50 mA
Isolation	3500 Veff
Type of terminal	plug-in screw terminal pitch 5.08 mm
Installation allowed at	'Opt.1', 'Opt.2', 'Opt.3'



Option	PCE-DPD/SSR
Output type	to control a SSR relay
Output voltage	+15 Vdc
Maximum current	45 mA
Isolation	1000 Vdc
Type of terminal	plug-in screw terminal pitch 5.08 mm
Installation allowed at	'Opt.1', 'Opt.2', 'Opt.3'



2. Option PCE-DPD/AV

Module PCE-DPD/AV provides 1 analog output configurable as 4/20 mA or 0/10 Vdc. The output is configured from the options configuration menu ('Opt.1', 'Opt.2' or 'Opt.3') of the instrument where the module is installed.

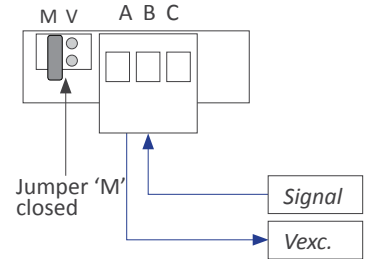
The output signal is proportional to the reading and it can be configured for direct (positive) and inverted (negative) slopes. It accepts connection for active and passive current loops.

Modules AO are isolated against all other instrument circuits.

Option	PCE-DPD/AV
Output type	analog output
Output signals	4/20 mA active 4/20 mA passive 0/10 Vdc
Max. signal output	22 mA, 10.5 Vdc
Min. signal output	0 mA, -50 mVdc
Scaling	related to the instruments reading direct or inverse slope
Vexc (terminal A)	+13.8 Vdc ± 0.4 Vdc (max. 25 mA) protected against short circuit
Load impedances	≤350 Ohms (in 4/20 mA active) ≤800 Ohms (in 4/20 mA passive) (with a 24 Vdc external Vexc) (maximum 27 Vdc between terminals 'B' and 'C') ≥10 KOhms (in 0/10 Vdc)
Accuracy (at 25 °C)	<0.1 % FS
Thermal stability	60 ppm/°C in mA mode 50 ppm/°C in Vdc mode
Step response	<75 mSeconds + meter step response (0% to 99% signal)
Isolation	1000 Vdc
Warm-up	15 minutes
Type of terminal	plug-in screw terminal pitch 5.08 mm
Factory configuration	'Mode mA' 'Scaling 0/9999 = 4/20 mA' 'On error to high level('to_h')
Installation allowed at	'Opt.1', 'Opt.2', 'Opt.3'

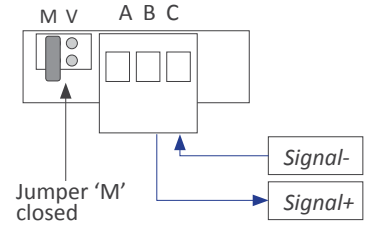
• **Mode 4/20 mA active**

The current loop is powered from the 'PCE-DPD/AV' module

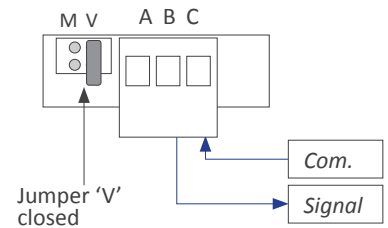


• **Mode 4/20 mA passive**

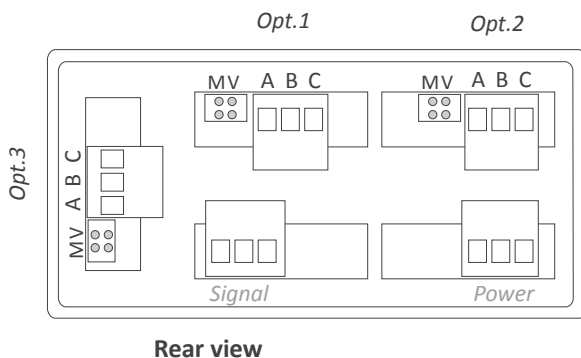
The current loop is powered from an external equipment



• **Mode 0/10 Vdc**



- Terminal A Vexc
- Terminal B Signal (mA or Vdc)
- Terminal C GND
- Jumper M closed for 'mA'
- Jumper V closed for 'Vdc'



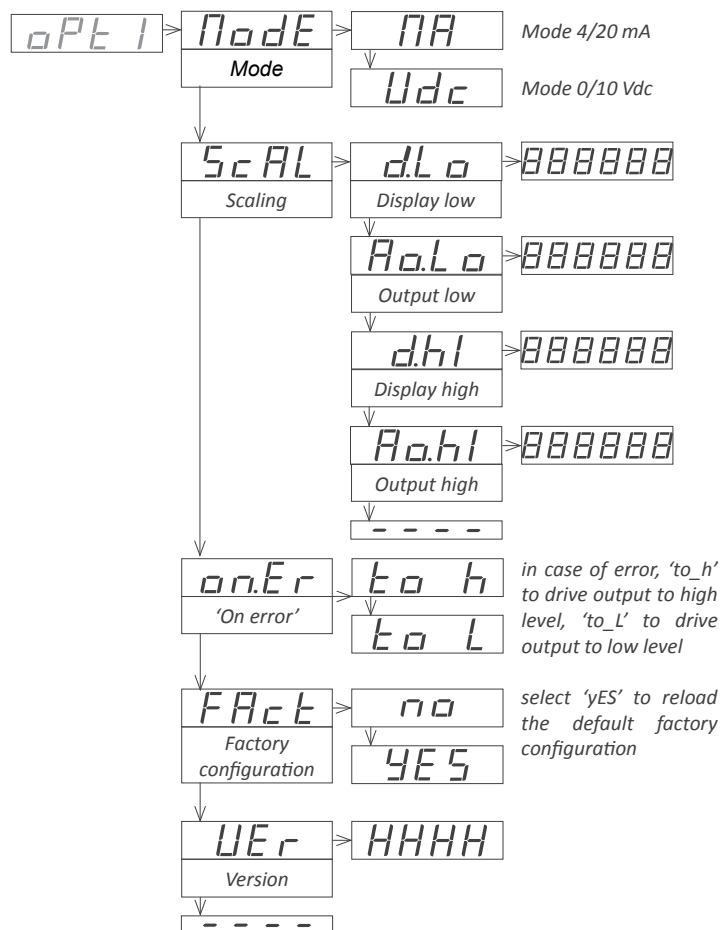
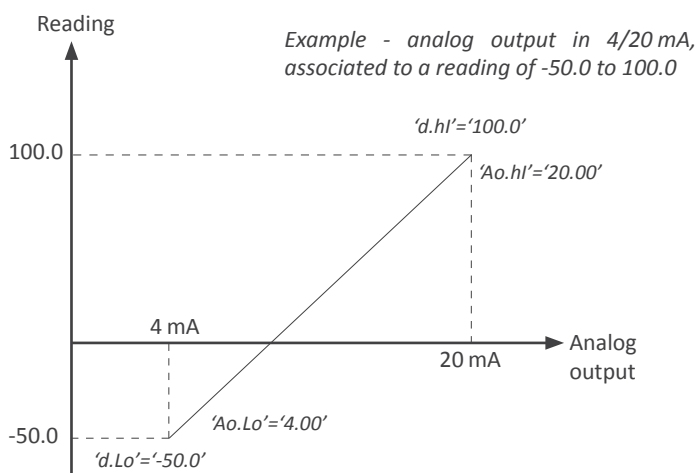
2.1 Configuration menu

Configure at menu 'Mode' ('MODE') the output signal range to '4/20 mA' ('mA') or '0/10 Vdc' ('Vdc'). Position for jumpers 'V' and 'M' must be according to the range selected.

At menu 'Scaling' ('SCAL') configure the values that define the two points ('high' and 'low') of the 'signal-reading' slope:

- the lower slope point, defined by 'Display low' ('d.Lo') and 'Output low' ('Ao.Lo')
- the higher slope point, defined by 'Display high' ('d.Hi') and 'Output high' ('Ao.Hi')

Analog output values are shown with 'XX.XX' format, acceptable values are '0.00' to '10.00' Vdc for voltage, and '0.00' to '20.00' mA for current.



2.2 Error codes

'Er.34' output signal configured to value lower than 0 Vdc or 0 mA

'Er.35' output signal configured to a value higher than 10 Vdc or 20 mA

'Er.36' configured slope points are not acceptable, such as :

'd.Hi'='d.Lo'

'Ao.Hi'='Ao.Lo'

$(\text{'Ao.Hi'-'Ao.Lo'}) > (\text{'d.Hi'-'d.Lo'})$

3. Option PCE-DPD/MB

Module PCE-DPD/MB provides 1 Modbus RTU communications port. Using protocol function '4' ('Read Input Registers') the instrument registers are accessible (reading value, alarm status, memory of maximum and minimum, setpoint values, ...)

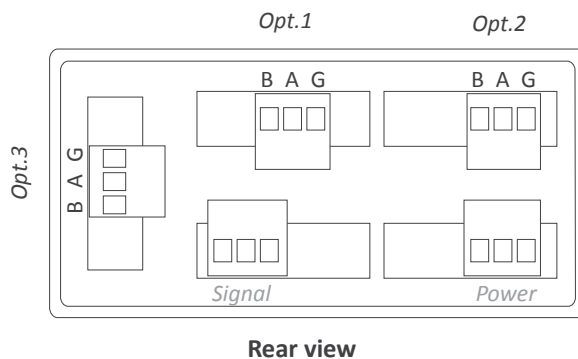
The protocol parameters are configured from the options configura-

tion menu ('Opt.1', 'Opt.2' or 'Opt.3') of the instrument where the module is installed.

Modules are isolated against all other instrument circuits.

Option	PCE-DPD/MB
Output type	Modbus RTU communication port
Function implemented	4 (Read_Input_Registers)
Addresses	01 to 247
Exception codes	see section 3.3
Registers*	see section 3.1
<i>*available registers can vary for different models</i>	
Bus speed	RS-485 57.6 Kbps to 600 bps
Data format	8n1 (standard), 8o1, 8n2, 8e1
bus terminator	not included
Isolation	1000 Vdc
Configuration	3 button front keypad
Temperature	operation from 0 to 50 °C storage from -20 to +70 °C
Factory configuration	'Address 1' 'Speed 19.2 Kbps' 'Format 8n1' 'Decimal point Auto'
Installation allowed at	'Opt.1', 'Opt.2', 'Opt.3'

Terminal B RS-485 bus 'B' signal
Terminal A RS-485 bus 'A' signal
Terminal G GND



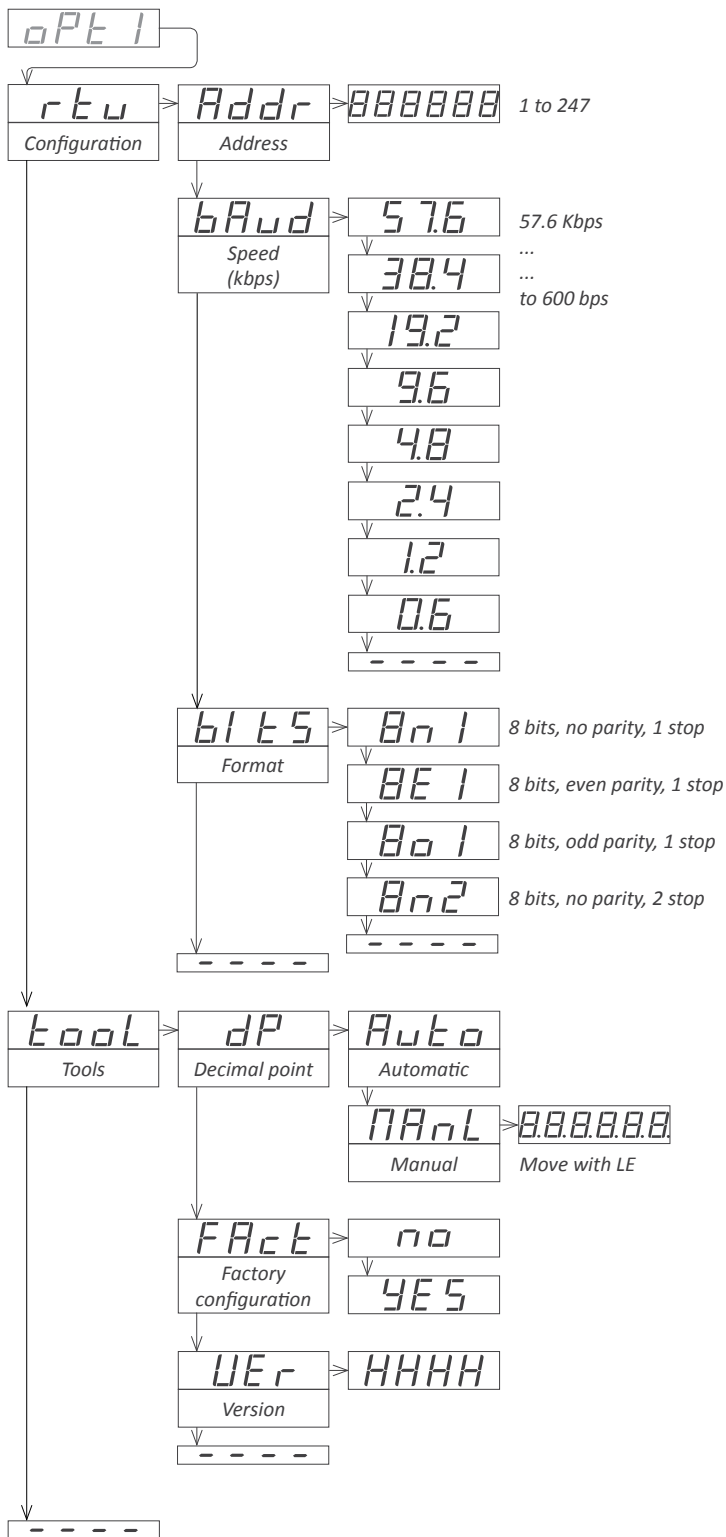
3.1 Accessible registers

Register	Name	Description	Size	Refresh	Value : Series M	Value : Series K and S	
0	DISPLAY1_L	Display value	16 bits	same as display	999999 to -199999	9999 to -1999	
1	DISPLAY1_H		16 bits				
2	DECIMALS1	Decimals on display	16 bits				0 to 6
3	MAXMEM_L	Memory of maximum	16 bits	every 30 seconds	999999 to -199999	9999 to -1999	
4	MAXMEM_H		16 bits				
5	MINMEM_L		Memory of minimum				16 bits
6	MINMEM_H						16 bits
7	SETPOINT1_L	Setpoint 1 value	16 bits	every 2 seconds	999999 to -199999	9999 to -1999	
8	SETPOINT1_H		16 bits				
9	SETPOINT2_L	Setpoint 2 value	16 bits				
10	SETPOINT2_H		16 bits				
11	SETPOINT3_L	Setpoint 3 value	16 bits				
12	SETPOINT3_H		16 bits				
13	STATUS	Alarm status Instrument status	16 bits	same as display	bit 0...7 alarm status bit 8...16 instrument status		
14 a 16	Reserved	Reserved	16 x 3 bits		Not accessible	Not accessible	

Table 1 - Registers accessible via MODBUS-RTU

All registers codified as binary numbers. Negative values are codified in two's complement. Available registers can vary for different models. Register 11 is not accessible to instruments from series S (limited to 2 output and control option modules)

3.2 Configuration menu



Configure at menu 'Configuration' ('rtu'), the address value between '1' and '247' at parameter 'Address' ('Addr'), bus speed in kbps at parameter 'Speed' ('bAud') and data format at parameter 'Format' ('bltS').

Special tools are grouped inside the 'Tools' ('Tool') menu.

- the 'Decimal point' ('dP') menu is provided for compatibility with ancient hardware that does not support decimal point retransmission. By default, select 'Automatic' ('Auto'). If your instrument does not transmit the decimal point position, select 'Manual' ('MANL') and fix the position of the decimal point manually.

- at the 'Factory reset' ('FAct') menu, select 'yes' to load the default factory configuration for the instrument.

the 'Version' ('VEr') menu informs of the current firmware version installed in the module.

3.3 Exception codes

The Modbus RTU protocol defines the following scenarios when a 'Master' is sending a frame to a 'Slave':

- the 'Slave' device receives the frame correctly and replies with the requested data
- the 'Slave' device detects a CRC error, parity error, or other and discards the frame without generating a reply frame. The 'Master' will detect a 'TIMEOUT' condition due to the absence of reply.
- the 'Slave' device receives the frame correctly, but replies with an 'EXCEPTION_CODE' as it can not process the function or register requested.

The 'EXCEPTION_CODES' configured in the RTU module are :

Exception code	Name	Description
0	ILLEGAL_FUNCTION	Requested function is not supported
1	ILLEGAL_DATA_ADDRESS	Requested register is not supported

Table 2 - Exception codes

3.4 Description and example of registers

Register R0 and R1 (DISPLAY1_L and DISPLAY1_H)

Contains the display value of the instrument, codified in two registers of 16 bits each. Possible values are from 999999 to -199999. Decimal point position is codified on register R2.

Example R0=FBF1 (hex) and R1=0009 (hex)
 Register value = 0009 FBF1 (hex)
 Reading value = 654321

Register R2 (DECIMALS1)

Contains the number of decimals of the display, codified in a single register of 16 bits. Possible values are from 0 to 6.

Example R2=0002 (hex)
 Number of decimals = 2 = 6543.21

Register R3 and R4 (MAXMEM_L and MAXMEM_H)

Contains the memory of maximum reading of the instrument, codified in two registers of 16 bits each. Possible values are from 999999 to -199999. Decimal point position is codified on register R2.

Example - same example as in R0 and R1 but accessing to R3 and R4.

Register R5 and R6 (MINMEM_L and MINMEM_H)

Contains the memory of minimum reading of the instrument, codified in two registers of 16 bits each. Possible values are from 999999 to -199999. Decimal point position is codified on register R2.

Example - same example as in R0 and R1 but accessing to R5 and R6.

Register R7 and R8 (SETPOINT1_L and SETPOINT1_H)

Contains the setpoint value of alarm 1, codified in two registers of 16 bits each. Possible values are from 999999 to -199999. Decimal point position is codified on register R2.

Example - same example as in R0 and R1 but accessing to R7 and

R8.

Register R9 and R10 (SETPOINT2_L and SETPOINT2_H)

Contains the setpoint value of alarm 2, codified in two registers of 16 bits each. Possible values are from 999999 to -199999. Decimal point position is codified on register R2.

Example - same example as in R0 and R1 but accessing to R9 and R10.

Register R11 and R12 (SETPOINT3_L and SETPOINT3_H)

Contains the setpoint value of alarm 3, codified in two registers of 16 bits each. Possible values are from 999999 to -199999. Decimal point position is codified on register R2.

Example - same example as in R0 and R1 but accessing to R11 and R12.

Register R13 (STATUS)

Information bit-by-bit, for the alarm status (on / off) and instrument status. See below for a description.

Bit 0	Alarm 1 status (0 = inactive, 1 = active)
Bit 1	Alarm 2 status (0 = inactive, 1 = active)
Bit 2	Alarm 3 status (0 = inactive, 1 = active)
Bit 3 a 7	Reserved
Bit 8	Display overrange
Bit 9	Display underrange
Bit 10	Lost communication with the main processor
Bit 11 to 15	Reserved

Registers R14, R15 and R16

Reserved

4. Option PCE-DPD/485

Module PCE-DPD/485 provides 1 RS-485 ASCII communications port. Protocol with 'master' - 'slave' architecture, addressable up to 31 modules. Frames codified in representable ASCII characters (codes 32 to 255), which are visible using 'hyperterminal' or similar programs.

Instrument registers are accessible through the RS-485 ASCII port (reading value, alarm status, memory of maximum and minimum, set-

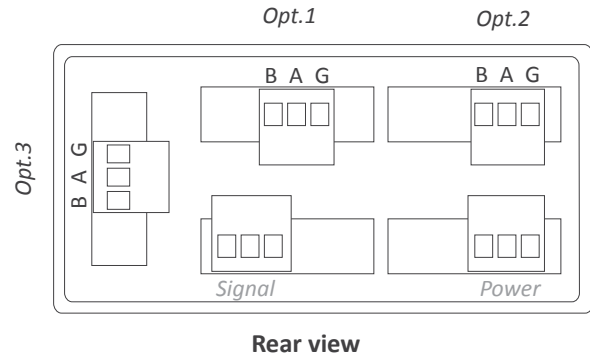
point values, ...)

The protocol parameters are configured from the options configuration menu ('Opt.1', 'Opt.2' or 'Opt.3') of the instrument where the module is installed.

Modules PCE-DPD/485 are isolated against all other instrument circuits.

Option	PCE-DPD/485
Output type	RS-485 ASCII communication port
Bus	RS-485
Speed	57.6 Kbps to 600 bps
Data format	8n1 (standard), 8o1, 8n2, 8e1
Protocol	ASCII
Architecture	'master - slave'
Addresses	01 to 31
'Broadcast' address	128
Registers*	see section 4.1
*available registers can vary for different models	
Isolation	1000 Vdc
Configuration	3 button front keypad
Temperature	operation from 0 to 50 °C storage from -20 to +70 °C
Factory configuration	'Mode Slave' 'Address 1' 'Speed 19.2 Kbps' 'Format 8n1' 'Decimal point Auto'
configuration 'Master'	'Destination address 31' 'Frequency 0.5 seconds'
tools	'Decimal point Auto' 'Legacy Off' 'Answer delay 0 mSeconds'
Installation allowed at	'Opt.1', 'Opt.2', 'Opt.3'

Terminal B RS-485 bus 'B' signal
Terminal A RS-485 bus 'A' signal
Terminal G GND



4.1 Accessible registers

Display values (DISPLAY1, MAXMEM, MINMEM, AL1, AL2, AL3) are codified with a minimum of 6 digits (left zeros are added if necessary), polarity and decimal point.

Register	Name	Description
0	DISPLAY1	Display1 value
1	MAXMEM	Memory of maximum
2	MINMEM	Memory of minimum
3	AL1	Setpoint 1 value
4	AL2	Setpoint 2 value
5	AL3	Setpoint 3 value
6	STATUS	Alarm status

Table 3 - Accessible registers for ASCII protocol.

Register 0 - DISPLAY1

Contains the display value of the instrument, in ASCII code, including polarity (positive / negative) and decimal point.

Example 1 R0='+' '0' '6' '5' '4' '3' '.' '2'

Display value = 6543.2

Example 2 R0='-' '0' '0' '0' '4' '.' '5' '2'

Display value = -4.52

Register 1 - MAXMEM

Contains the value for memory of maximum, in ASCII code, including polarity (positive / negative) and decimal point.

Register 2 - MINMEM

Contains the value for memory of minimum, in ASCII code, including polarity (positive / negative) and decimal point.

Register 3 - AL1

Contains the value for alarm 1 setpoint, in ASCII code, including polarity (positive / negative) and decimal point.

Register 4 - AL2

Contains the value for alarm 2 setpoint, in ASCII code, including polarity (positive / negative) and decimal point.

Register 5 - AL3

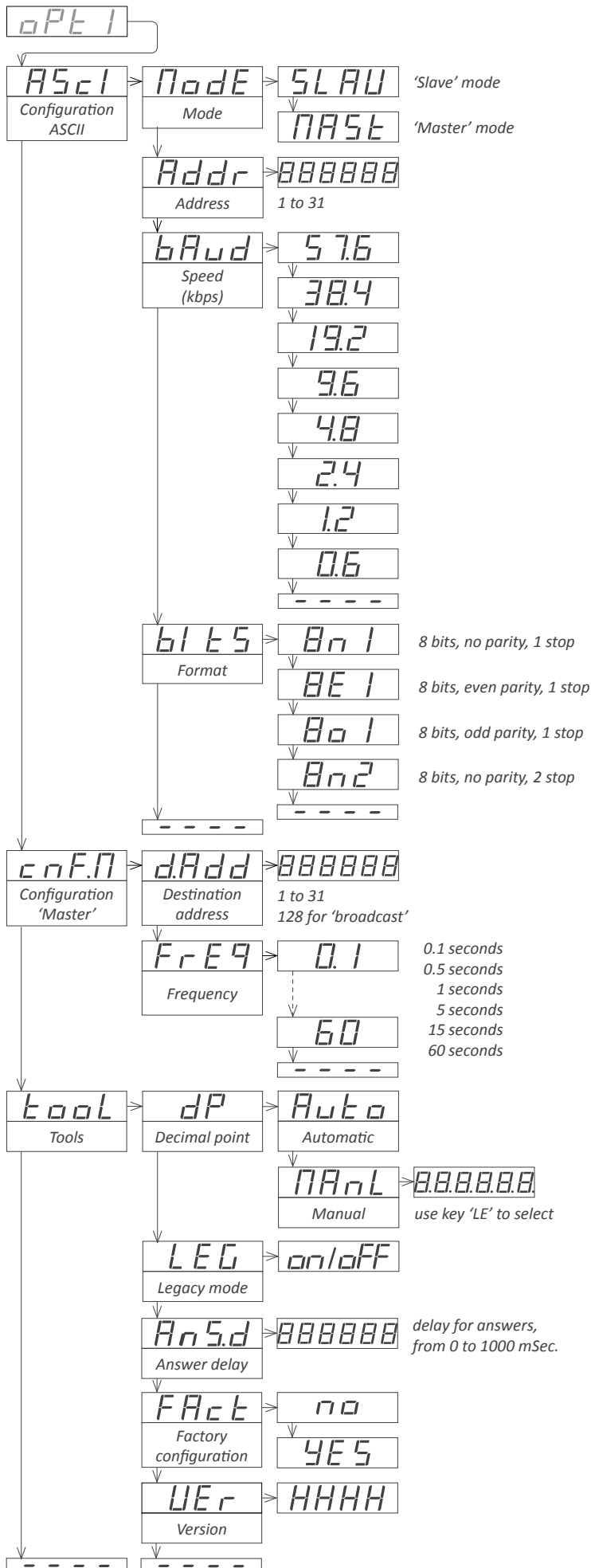
Contains the value for alarm 3 setpoint, in ASCII code, including polarity (positive / negative) and decimal point.

Register 6 - STATUS

Contains the alarm status (on/off).

- Bit 0 Alarm 1 status (0 = inactive, 1 = active)
- Bit 1 Alarm 2 status (0 = inactive, 1 = active)
- Bit 2 Alarm 3 status (0 = inactive, 1 = active)
- Bit 3 to 15 Reserved

4.2 Configuration menu



At menu 'Configuration ASCII' ('AScl'), configure the instrument at parameter 'Mode' ('ModE') to work as 'slave' or 'master', at parameter 'Address' ('Addr') set the address value from '1' to '31', set the bus speed in kbps at parameter 'Speed' ('bAud') and set the data format at parameter 'Format' ('bltS').

When working as 'master', the instrument continuously transmits the display value data frame. The local module address is '0'. Configure at menu 'Configuration Master' ('cnF.M') the 'Destination address' ('d.Add') parameter from '1' to '31' or use value '128' for a broadcast message. At parameter 'Frequency' ('FrEq') select the how often the frame with the reading value will be transmitted.

Special tools are grouped inside the 'Tools' ('Tool') menu.

- the 'Decimal point' ('dP') menu is provided for compatibility with ancient hardware that does not support decimal point retransmission. By default, select 'Automatic' ('Auto'). If your instrument does not transmit the decimal point position, select 'Manual' ('MANL') and fix the position of the decimal point manually.
 - the 'Legacy mode' ('LEG') parameter is provided to maintain compatibility with instruments with older communication protocols. Select 'on' to activate this mode.
 - the 'Answer delay' ('AnS.d') parameter applies only to 'Slave' mode. The local module delays the answer frame. Configure for applications where the 'Master' needs additional time to switch between 'transmit' and 'receive' modes. Enter a numeric value between '0' and '1000' mSeconds.
 - at the 'Factory reset' ('FAct') menu, select 'yes' to load the default factory configuration for the instrument.
- the 'Version' ('VER') menu informs of the current firmware version installed in the module.

4.3 Frame types

The ASCII protocol defines the following frames:

- Frame 'read' ('RD'). Id code 36. Request data frame. The requested register is indicated into the 'REG' byte ('Header' section).
- Frame 'answer' ('ANS'). Id code 37. Response frame to a request data frame. The requested register is indicated into the 'REG' byte ('Header' section). Data of the requested register is indicated into data bytes 'D0' to 'Dn' ('Data' section).

- Frame 'error' ('ERR'). Id code 38. Response frame to a request data frame. Indicates that an error has occurred. Error code is codified into the 'REG' byte ('Header' section).
- Frame 'ping' ('PING'). Id code 32. Used to confirm the existence of the remote instrument.
- Frame 'pong' ('PONG'). Id code 33. Response to a 'ping' frame. It confirms the existence of the remote instrument.

4.4 Frame structure

Header								Data				Trail	
STX	ID	RSV	FROM	TO	REG	RSV	LONG	D0	D1	...	Dn	CRC	ETX
2	x	32	x	x	x	32	n+1	[data]				x	3
0	1	2	3	4	5	6	7	8	9	...	n+7	n+8	n+9

Protocol frames have a structure made of 'Header', 'Data' and 'Trail'.

Section 'Header'

Contains the start byte ('STX'), the frame identifier ('ID'), the origin address ('FROM') and the destination address ('TO'), the register id ('REG') and the length ('LONG') of the 'Data' section.

Section 'Data'

Contains data for the requested register ('REG').

Section 'Trail'

Contains the 'CRC' code and the end of frame byte ('ETX').

'Real value' and 'Frame value'

To use representable ASCII values, the real values are codified before being sent into the frame. The following definitions apply :

- 'real value' is the value of the field without codification
- 'frame value' is the value of the field, codified

Field	Description	Size	Position	Real value	Frame value
STX	Start of frame	1 byte	0	does not apply	2
ID	Frame type	1 byte	1	(see section 4.3)	real_value
RSV	Reserved	1 byte	2	0	32
FROM	Origin address	1 byte	3	0 ('Master') / 1 to 31 ('Slave')	32 + real_value
TO	Destination address	1 byte	4	0 ('Master') / 1 to 31 ('Slave') 128 ('broadcast')	32 + real_value
REG	Register identification	1 byte	5	(see section 4.1)	32 + real_value
RSV	Reserved	1 byte	6	0	32
LONG	Length of 'Data' section	1 byte	7	n (between 0 and 32)	32 + real_value
D0 ... Dn	Data	n bytes	8 to n+7	number 0 to 9 decimal point polarity (+/-)	ASCII code of the number (48 to 57) ASCII code of decimal point (46) ASCII code of '+' (43) ASCII code of '-' (45)
CRC	CRC calculation	1 byte	n+8	does not apply	(see section 4.6)
ETX	End of frame	1 byte	n+9	does not apply	3

Table 4 - Description of the bytes for the ASCII frame

4.5 Error codes

Frames 'ERR' contain within the 'REG' field, the error code. Available error codes are :

error 1	unknown register	error 4	CRC error
error 2	display overrange	error 5	internal error
error 3	display underrange		

4.7 Frame examples

4.7.1 Frames 'RD' (36) and 'ANS' (37)

Example - 'Master' (address '0') requests the value of register '0' (display value) to the 'Slave' at address '28' ('RD' frame) and the 'Slave' replies to the 'Master' with a reply frame ('ANS' frame) containing the requested data (765.43).

*Instruments with 4 digits also send reading values formatted with 6 digits : value -321.5 is transmitted as -00321.5

Header								Trail	
STX	ID	RSV	FROM	TO	REG	RSV	LONG	CRC	ETX
2	36	32	32	60	32	32	32	58	3
Start	RD	---	0	28	0	---	0	CRC	Stop

Header								Data								Trail	
STX	ID	RSV	FROM	TO	REG	RSV	LONG	D0	D1	D2	D3	D4	D5	D6	D7	CRC	ETX
2	37	32	60	32	32	32	40	43	48	55	54	53	46	52	51	15	3
Start	ANS	---	28	0	0	---	8	+0765.43								CRC	Stop

4.7.2 Frames 'ERR' (38)

Example - 'Slave' at address '11' replies to the 'Master' (address '0') with an error frame ('ERR' frame) indicating that the requested register number is unknown ('UNKNOWN_REGISTER', error code '1'). The

error code is codified into the 'REG' byte. For a list of error code see section 4.5.

Header								Trail	
STX	ID	RSV	FROM	TO	REG	RSV	LONG	CRC	ETX
2	38	32	43	32	33	32	32	46	3
Start	ERR	---	11	0	1	---	0	CRC	Stop

4.7.3 Frames 'PING' (32) and 'PONG' (33)

Example - 'Master' (address '0') requests confirmation of existence to the 'Slave' at address '22' ('PING' frame) and the 'Slave' replies to the 'Master' with a 'PONG' frame.

Header								Trail	
STX	ID	RSV	FROM	TO	REG	RSV	LONG	CRC	ETX
2	32	32	32	54	32	32	32	52	3
Start	Ping	---	0	22	0	---	0	CRC	Stop

Header								Trail	
STX	ID	RSV	FROM	TO	REG	RSV	LONG	CRC	ETX
2	33	32	54	32	32	32	32	53	3
Start	Pong	---	22	0	0	---	0	CRC	Stop

4.6 CRC calculation

The 'frame value' for the CRC byte is calculated applying a XOR function to the 'frame value' (see section 4.4) of all bytes in sections 'Header' and 'Data', from byte '0' ('STX') to the last data byte ('Dn').

• if the calculated CRC value is lower than '32', it is normalized by applying the 'one's complement' function .

$CRC0 = STX \wedge ID \wedge RSV \wedge FROM \wedge TO \wedge REG \wedge RSV \wedge LONG \wedge D0 \wedge \dots \wedge Dn$

• if $(CRC0 < 32) \rightarrow CRC = !CRC0$ (one's complement function)

• if $(CRC0 > 31) \rightarrow CRC = CRC0$

```
//example of CRC calculation in C language
int8 Calculate_CRC(int8 CRC_Position)
{
    int8 i,CRC=0;
    for(i=0;i<CRC_Position;i++)
    {
        crc=crc ^ frame[i];
    }
    if(crc<32) CRC=~CRC;
    return(CRC);
}
```

5. Option PCE-DPD/232

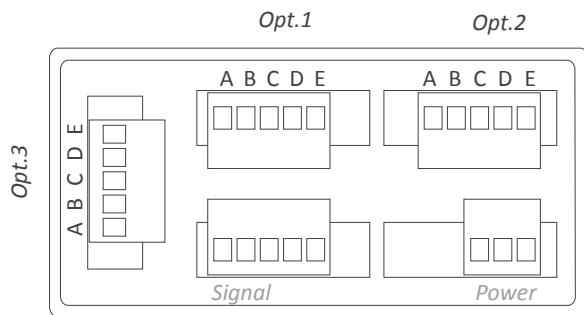
Module PCE-DPD/232 provides 1 RS-232 ASCII communications port. Protocol specifications are the same as with module PCE-DPD/485 (see section 4), with only difference that the physical bus is RS-232 instead of RS-485.

PCE-DPD/232 modules allow for point-to-point communication over RS-232 and also allow for multinode communication over RS-232 using a 'Daisy-Chain' type of connection.

Terminals RX1 and TX1 are for connection to the RS-232 bus. Terminals RX2 and TX2 are for RS-232 multinode connection. Frames received on RX1 with destination address different than the local instrument's address, will be retransmitted over the TX2 terminal. In a similar way, frames received from RX2 with destination address

Option	PCE-DPD/232
Output type	RS-232 ASCII communication port
Bus	RS-232
Speed	57.6 Kbps to 600 bps
Data format	8n1 (standard), 8o1, 8n2, 8e1
Protocol	ASCII
Architecture	'master - slave'
Addresses	01 to 31
'Broadcast' address	128
Registers*	see section 4.1
<i>*available registers can vary for different models</i>	
Isolation	1000 Vdc
Configuration	3 button front keypad
Temperature	operation from 0 to 50 °C storage from -20 to +70 °C
Installation allowed at	'Opt.1', 'Opt.2', 'Opt.3'

Terminal E	GND	Terminal B	Rx2
Terminal D	Rx1	Terminal A	Tx2
Terminal C	Tx1		



Rear view



PCE Instruments

GERMANY

PCE Deutschland GmbH
Im Langel 4
D-59872 Meschede
Deutschland
Tel.: +49 (0) 2903 976 99 0
Fax: +49 (0) 2903 976 99 29
info@pce-instruments.com
www.pce-instruments.com/deutsch

GERMANY

Produktions- und
Entwicklungsgesellschaft mbH
Im Langel 26
D-59872 Meschede
Deutschland
Tel.: +49 (0) 2903 976 99 471
Fax: +49 (0) 2903 976 99 9971
info@pce-instruments.com
www.pce-instruments.com/deutsch

NETHERLANDS

PCE Brookhuis B.V.
Institutenweg 15
7521 PH Enschede
Nederland
Telefoon: +31 (0)53 737 01 92
Fax: +31 53 430 36 46
info@pcebenelux.nl
www.pce-instruments.com/dutch

USA

PCE Americas Inc.
711 Commerce Way suite 8
Jupiter / Palm Beach
33458 FL
USA
Tel: +1 (561) 320-9162
Fax: +1 (561) 320-9176
info@pce-americas.com
www.pce-instruments.com/us

FRANCE

PCE Instruments France EURL
23, rue de Strasbourg
67250 Soultz-Sous-Forets
France
Téléphone: +33 (0) 972 3537 17
Numéro de fax: +33 (0) 972 3537 18
info@pce-france.fr
www.pce-instruments.com/french

UNITED KINGDOM

PCE Instruments UK Ltd
Units 11 Southpoint Business Park
Ensign Way, Southampton
Hampshire
United Kingdom, SO31 4RF
Tel: +44 (0) 2380 98703 0
Fax: +44 (0) 2380 98703 9
info@industrial-needs.com
www.pce-instruments.com/english

CHILE

PCE Instruments Chile S.A.
RUT: 76.154.057-2
Calle Santos Dumont N° 738, Local 4
Comuna de Recoleta, Santiago
Tel. : +56 2 24053238
Fax: +56 2 2873 3777
info@pce-instruments.cl
www.pce-instruments.com/chile

TURKEY

PCE Teknik Cihazları Ltd.Şti.
Halkalı Merkez Mah.
Pehlivan Sok. No.6/C
34303 Küçükçekmece - İstanbul
Türkiye
Tel: 0212 471 11 47
Faks: 0212 705 53 93
info@pce-cihazlari.com.tr
www.pce-instruments.com/turkish

SPAIN

PCE Ibérica S.L.
Calle Mayor, 53
02500 Tobarra (Albacete)
España
Tel. : +34 967 543 548
Fax: +34 967 543 542
info@pce-iberica.es
www.pce-instruments.com/espanol

ITALY

PCE Italia s.r.l.
Via Pesciatina 878 / B-Interno 6
55010 Loc. Gagnano
Capannori (Lucca)
Italia
Telefono: +39 0583 975 114
Fax: +39 0583 974 824
info@pce-italia.it
www.pce-instruments.com/italiano

HONG KONG

PCE Instruments HK Ltd.
Unit J, 21/F., COS Centre
56 Tsun Yip Street
Kwun Tong
Kowloon, Hong Kong
Tel: +852-301-84912
jyi@pce-instruments.com
www.pce-instruments.cn

CHINA

PCE (Beijing) Technology Co., Limited
1519 Room, 4 Building
Men Tou Gou Xin Cheng
Men Tou Gou District
102300 Beijing
China
Tel: +86 (10) 8893 9660
info@pce-instruments.cn
www.pce-instruments.cn