



# Anemometers

## PCE-WS V 0-10V OUTPUT

## PCE-WS A 4-20mA OUTPUT

### PCE-WS V/A range of PCE Instruments

Wind Speed sensor designed for different industries and sector

PCE-WS V/A ANALOGUE OUTPUT is an analogue output anemometer, with 0-10V (PCE-WS V) and 4-20mA (PCE-WS A) versions. Output proportional to the wind speed with a full scale of 180 km/h.

**Industrial design for extreme environments**

**Analogue output (4-20mA or 0-10 V)**

**Stainless Steel bearings**

**Low consumption**

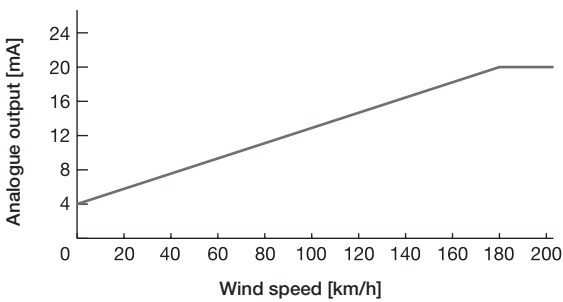
**Made in Spain**

## APPLICATIONS

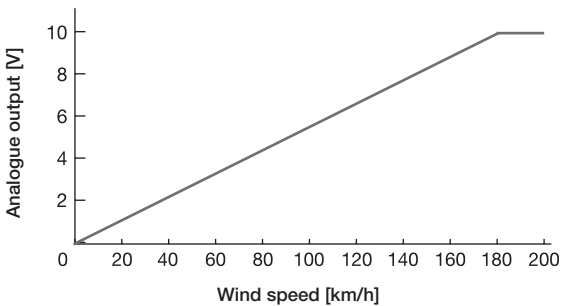
PCE-WS V/A has been designed for industrial applications: cranes, solar panels, wind turbines, weather stations... It is usually connected to devices such as displays (see our references PCE-WSAC 50 series or PCE-DPD-U), PLCs or dataloggers to display the wind speed and/or set alarms to predefined values or to obtain records during predefined periods of time. The wind sensor must be fixed on a vertical position.

## WIND SPEED - OUTPUT RATIO

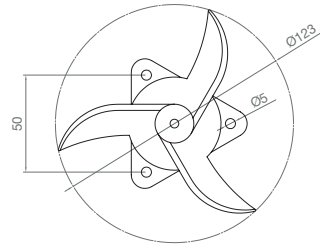
4...20 mA = 0...180 km/h



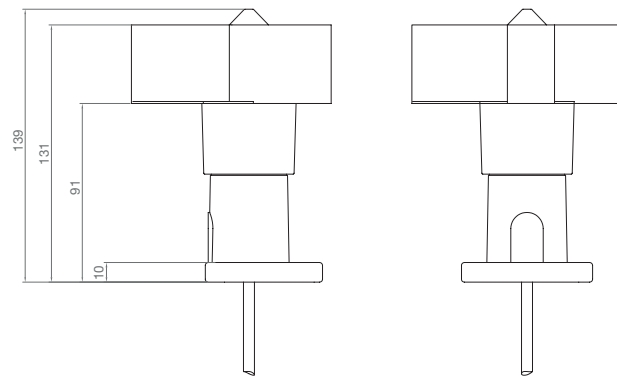
0...10 V = 0...180 km/h



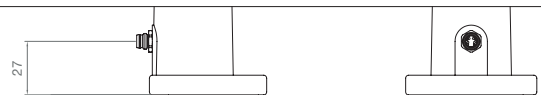
## DIMENSIONS



### PCE-WS V/A CABLE



### PCE-WS V/A M8 LATERAL



## TECHNICAL FEATURES

### 4-20 mA OUTPUT Electrical features

|                               |   |
|-------------------------------|---|
| Power supply                  | 12...30 Vdc                               |
| Maximum current               | <20 mA                                    |
| Type of output                | Analogue (4-20 mA, 2 wires)               |
| Maximum connectable impedance | $R_L < \frac{V_{cc} - 8V}{0.02 A} \Omega$ |

### 0-10 V OUTPUT Electrical features

|                               |                   |
|-------------------------------|-------------------|
| Power supply                  | 15-24 Vdc         |
| Power consumption             | <2.5 W            |
| Type of output                | Analogue (0-10 V) |
| Minimum connectable impedance | 4k6 $\Omega$      |

### Measurements

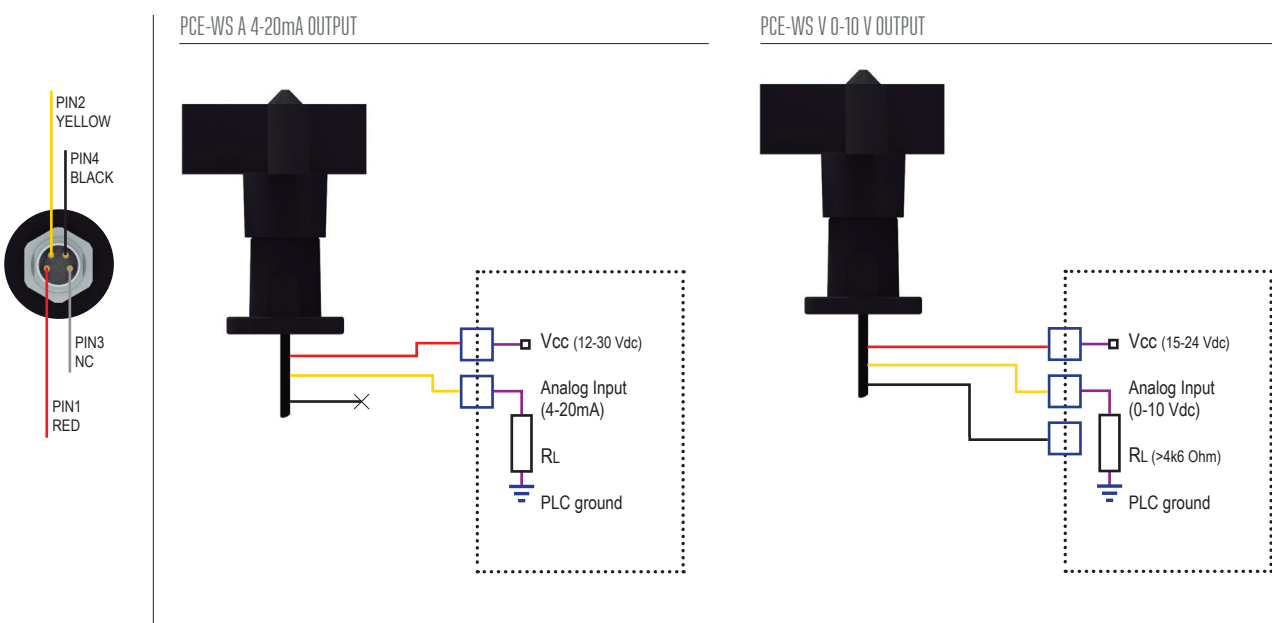
|                |  |
|----------------|--|
| Range          | 3-180 km/h*                            |
| Starting speed | 8 km/h                                 |
| Survival speed | 200 km/h                               |
| Accuracy       | 1km/h (3-15 km/h)<br>3% (15-180 km/h)* |

\*Depending on version

### General features

|                           |   |
|---------------------------|---|
| Material                  | PA + FV                                     |
| Bearings                  | Stainless steel X65Cr13                     |
| Type of connection        | See references                              |
| Weight (with a 20m cable) | 1425 g                                      |
| Weight (without cable)    | 135 g                                       |
| Dimensions                | 125x139 mm                                  |
| Storage temperature       | -35°C +80°C                                 |
| Working temperature       | -20°C +70°C                                 |
| EMC                       | EN 61000-6-2:2001<br>EN 55022:2001, Class B |
| Protection                | IP65 (UNE 20324:1993)                       |

## CONNECTION



## REFERENCES AND VERSIONS

### References

#### 4-20mA OUTPUT

|                |  |
|----------------|--|
| PCE-WS A       | Anemometer 4-20mA Output 180 km/h 20m Cable  |
| PCE-WS A/ M8L* | Anemometer 4-20mA Output 180 km/h M8 Lateral |

#### 0-10V OUTPUT

|          |  |
|----------|--|
| PCE-WS V | Anemometer 0-10V Output 180 km/h 20m Cable |
|----------|--|

### Other devices of PCE-WS range

#### Heated 4-20 mA

|                 |  |
|-----------------|--|
| PCE-WS AH/ M12* | Anemometer 4-20mA Output 180km/h M12 Underside. Heated version. Female connector included. |
|-----------------|--|

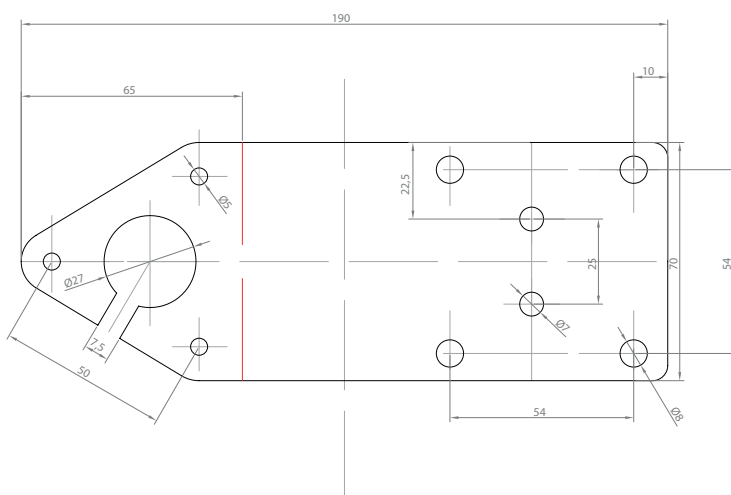
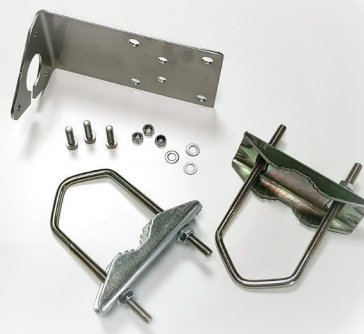
### Displays

|                    |   |
|--------------------|---|
| PCE-WSAC 50 series | Range of anemometer wall mount displays with 2 relay alarms. Different versions available depending on: type of input (0-10V or 4-20mA, optional RS485, power input (110Vac 60Hz, 220Vac 50Hz or 24Vdc) and m/s or mph indication |
| PCE-DPD-U          | Panel display 96x48 IP65 with universal power input and optional output modules (relay, RS485, etc.)  |

\*Check availability and MOQ

### Accessories

|               |  |
|---------------|--|
| PCE-WS/ MOUNT | Optional mounting kit for PCE-WS anemometers & PCE-WV wind vanes |
|---------------|--|



### Disposal

For the disposal of batteries in the EU, the 2006/66/EC directive of the European Parliament applies. Due to the contained pollutants, batteries must not be disposed of as household waste. They must be given to collection points designed for that purpose.

In order to comply with the EU directive 2012/19/EU devices must be properly disposed of in accordance with this regulation, we give them to a recycling company which disposes of the devices in line with law. For countries outside the EU, batteries and devices should be disposed of in accordance with your local waste regulations. If you have any questions, please contact PCE Instruments.



Contact information for each country and user manuals in various languages can be found on our website: [www.pce-instruments.com](http://www.pce-instruments.com)



All dimensions and sizes are approximate. Specifications and prices are subject to change without notice.