

FRONT OF HOUSING DIMENSIONS

REAR OF HOUSING - MOUNTING HOLE PATTERN & DETAIL

CONTROLLED DOCUMENT: THIS DRAWING IS UNCONTROLLED WHEN PRINTED, UNLESS ON YELLOW PAPER

**IRISYS**  
 InfraRed Integrated Systems Ltd.  
 Towcester Mill, Towcester, Northants.  
 NN12 6AD, U.K.

THE COPYRIGHT IN THIS DOCUMENT IS THE PROPERTY OF INFRARED INTEGRATED SYSTEMS LIMITED (IRISYS). THE DOCUMENT IS SUPPLIED BY IRISYS ON THE EXPRESS UNDERSTANDING THAT IT IS TO BE TREATED AS CONFIDENTIAL AND THAT IT MAY NOT BE COPIED, USED OR DISCLOSED TO OTHERS IN WHOLE OR IN PART FOR ANY PURPOSE EXCEPT AS AUTHORIZED IN WRITING BY IRISYS. UNLESS IRISYS HAS ACCEPTED A CONTRACTUAL OBLIGATION IN RESPECT OF THE PERMITTED USE OF THE INFORMATION AND DATA CONTAINED HEREIN, SUCH INFORMATION AND DATA IS PROVIDED WITHOUT RESPONSIBILITY AND IRISYS DISCLAIMS ALL LIABILITY ARISING FROM ITS USE. THE COPYRIGHT AND THE FOREGOING RESTRICTIONS ON REPRODUCTION, USE AND DISCLOSURE EXTEND TO ALL MEDIA IN WHICH THIS INFORMATION IS EMBODIED.

THIS IS A C.A.D. GENERATED DRAWING. DO NOT CHANGE MANUALLY THIS DRAWING MAY ONLY BE ALTERED OR REPLACED IN ACCORDANCE WITH PROCEDURES

DIMENSIONS IN mm

GEOMETRIC TOLERANCE SYMBOLS TO BS308

|                  |    |               |   |
|------------------|----|---------------|---|
| STRAIGHTNESS     | -  | ANGULARITY    | ∠ |
| FLATNESS         | ▭  | POSITION      | ⊕ |
| CIRCULARITY      | ⊙  | CONCENTRICITY | ⊙ |
| PARALLELISM      | // | SYMMETRY      | ≡ |
| PERPENDICULARITY | ⊥  | DATUM FEATURE | ▲ |

TOLERANCES:  
 0.0 = ±0.10mm  
 0.00 = ±0.01mm  
 0.000 = ±0.001mm  
 UNLESS OTHERWISE SPECIFIED

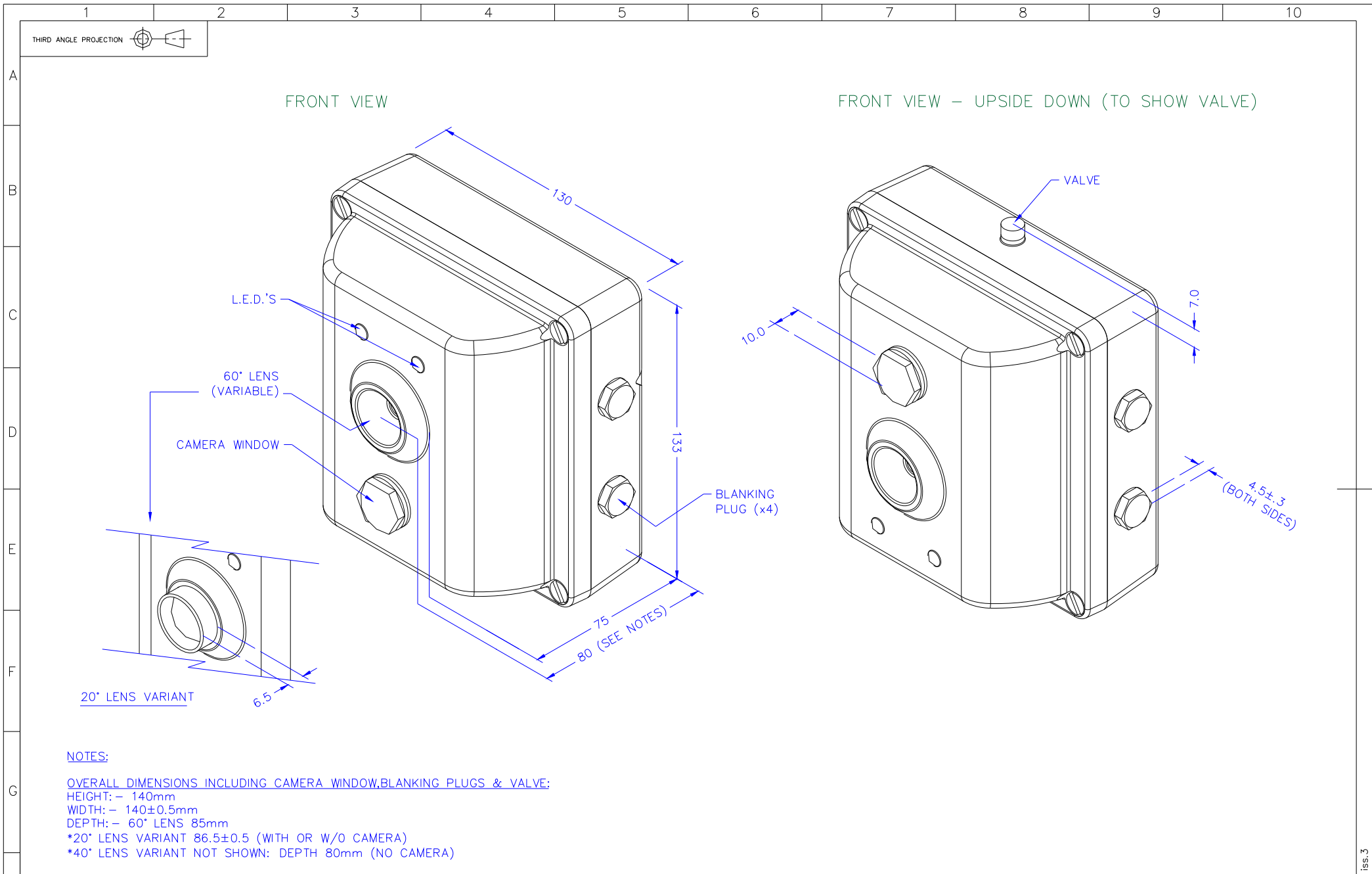
DO NOT MEASURE UNDIMENSIONED FEATURES  
 ERRORS TO BE REPORTED DO NOT SCALE

MATERIAL N/A  
 TREATMENT: N/A  
 FINISH: N/A  
 PART CODE --

|               |    |       |
|---------------|----|-------|
| C/N No.       | 01 | A     |
| MAJOR         |    | MINOR |
| ISSUE         |    |       |
| SCALE N.T.S.  |    |       |
| DRAWN BY J.P. |    |       |

|   |            |          |          |
|---|------------|----------|----------|
| DESCRIPTION                                   | CHECKED    | APPROVED | DATE     |
| TITLE RUGGED PEOPLE COUNTER DIMENSION DETAILS |            |          | 16/05/06 |
| DWG. No. IDR31066                             | SHT 1 OF 2 |          | SHTS     |

DWG: IFN4017 iss.3



CONTROLLED DOCUMENT: THIS DRAWING IS UNCONTROLLED WHEN PRINTED, UNLESS ON YELLOW PAPER

**IRISYS**<sup>®</sup>  
 InfraRed Integrated Systems Ltd.  
 Towcester Mill, Towcester, Northants.  
 NN12 6AD, U.K.

THE COPYRIGHT IN THIS DOCUMENT IS THE PROPERTY OF INFRARED INTEGRATED SYSTEMS LIMITED (IRISYS). THE DOCUMENT IS SUPPLIED BY IRISYS ON THE EXPRESS UNDERSTANDING THAT IT IS TO BE TREATED AS CONFIDENTIAL AND THAT IT MAY NOT BE COPIED, USED OR DISCLOSED TO OTHERS IN WHOLE OR IN PART FOR ANY PURPOSE EXCEPT AS AUTHORIZED IN WRITING BY IRISYS. UNLESS PERMITTED USE OF THE INFORMATION AND DATA CONTAINED HEREIN, SUCH INFORMATION AND DATA IS PROVIDED WITHOUT RESPONSIBILITY AND IRISYS DISCLAIMS ALL LIABILITY ARISING FROM ITS USE. THE COPYRIGHT AND THE FOREGOING RESTRICTIONS ON REPRODUCTION, USE AND DISCLOSURE EXTEND TO ALL MEDIA IN WHICH THIS INFORMATION IS EMBODIED.

THIS IS A C.A.D. GENERATED DRAWING  
 DO NOT CHANGE MANUALLY  
 THIS DRAWING MAY ONLY BE ALTERED OR REPLACED IN ACCORDANCE WITH PROCEDURES

DIMENSIONS IN mm

GEOMETRIC TOLERANCE SYMBOLS TO BS308

STRAIGHTNESS — ANGLARITY <

FLATNESS — POSITION \*

CIRCULARITY — CONCENTRICITY \*

PARALLELISM // SYMMETRY =

PERPENDICULARITY ⊥ DATUM FEATURE ▲

TOLERANCES:

0.0 = ±0.10mm

0.00 = ±0.01mm

0.000 = ±0.001mm

UNLESS OTHERWISE SPECIFIED

DO NOT MEASURE UNDIMENSIONED FEATURES

ERRORS TO BE REPORTED DO NOT SCALE

IF IN DOUBT ASK !

MATERIAL N/A

TREATMENT: N/A

FINISH: N/A

PART CODE --

-- 01 A  
 C/N No. MAJOR MINOR  
 ISSUE  
 SCALE N.T.S.  
 DRAWN BY J.P.

| DESCRIPTION                                      | CHECKED | APPROVED | DATE               |
|--|---------|----------|--------------------|
| TITLE RUGGED PEOPLE COUNTER<br>DIMENSION DETAILS |         |          | 16/05/08           |
| DWG. No. IDR31066                                |         |          | SHT 2 OF 2<br>SHTS |