



PCE-DPD-P1

PCE-DPD-P2



Impulse counter, ratemeter

PANEL METERS

Impulse counter, ratemeter and periodmeter, with 14 mm digit height. Accepts all type of impulse sensors (NPN, PNP, Namur, TTL, inductive, mechanical, encoders, ...). Provides configurable excitation voltage to power-up the transducer. Standard 96 x 48 mm size (1/8 DIN). Reading with 6 digit display. Fast access to alarm setpoints, special modes for fast counting and for slow ratemeter applications, 'on power up' function, configurable reading brightness. Universal AC and DC power. Up to 3 optional modules for output and control (relays, transistor, control SSR, analog outputs, Modbus RTU communications, RS-485 ASCII, RS-232, ...)

www.pce-instruments.com

1. Panel meter PCE-DPD-P1 & PCE-DPD-P2

Counter, ratemeter and periodmeter, 96 x 48 mm (1/8 DIN)

Panel meter 96 x 48 mm (1/8 DIN) and 6 digits with 14 mm digit height, configurable with 5 impulse counter modes (see section 1.2), 2 ratemeter modes (see section 1.3) and a 1 periodmeter mode (see section 1.4).

Highly configurable, accepts all types of sensors (NPN, PNP, push-pull, Namur, inductive, pick-up, mechanical, TTL, CMOS, ...) including quadrature signals (single and bidirectional encoder signals).

Reading from 999999 to -199999 with decimal point, scalable reading with configurable multiplier factor (1 to 999999) and configurable divider factor (1 to 999999). Includes internal pull-up and pull-down resistors, configurable trigger levels, detection by rising or falling edge, excitation voltage configurable from 5 Vdc to 18 Vdc.

Options for output and control with 1, 2 and 3 relays, transistor outputs, controls for SSR relays, isolated analog outputs, communications in Modbus RTU, RS-485 ASCII and RS-232.

Independent alarms configurable as maximum or minimum, with 1 or 2 setpoints per alarm, hysteresis, independent activation and deactivation delays and control for inverted relay.

Front protection IP65. Connections by plug-in screw terminals. For industrial applications.

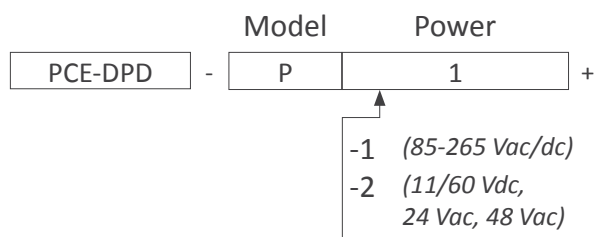
- **'Fast access'** menu to selected functions, accessible with key UP (▲) (see section 1.19.12)
- Function **'On power up'** for system protection on first 'cold' start-up or automatic reset (see section 1.19.15)
- Special **'FAST'** mode for fast counting applications (see section 1.16)
- Special **'SLOW'** mode for slow ratemeter applications (low frequency applications) (see section 1.15)
- Direct configuration for most usual sensor, at the **'SnSr / Auto'** menu (see section 1.19.10)
- Function **'Trigger Sense'** helps to detect the correct trigger level (see section 1.13)

Multiple display filters, memory for maximum and minimum reading, password protection, 5 brightness levels.

Index

1. Panel meter PCE-DPD-P1 & PCE-DPD-P2	2	1.19.16 Menu 'Overrange / underrange'	15
1.1 How to order	3	1.19.17 Left zeros	15
1.2 Impulse counter modes	3	1.19.18 Vexc. control	15
1.3 Ratemeter modes	3	1.19.19 Function 'Password'	15
1.4 Periodmeter mode	3	1.19.20 Factory reset	15
1.5 Functions included	3	1.19.21 Firmware version	15
1.6 Front view	4	1.19.22 Brightness	15
1.7 Power connections	4	1.19.23 Access to optional modules	15
1.8 Sensor configuration and connections	4	1.20 Full configuration menu	16
1.9 Rear view	4	1.21 Factory configuration	19
1.10 Signal connections	4	1.22 To access the instrument	20
1.11 Technical specifications	5	1.23 Modular system	20
1.12 Mechanical dimensions (mm)	5	1.24 Precautions on installation	21
1.13 Function 'Trigger Sense'	6	1.25 Warranty	21
1.14 Function 'cycle counter'	6	1.26 CE declaration of conformity	21
1.15 'SLOW' mode	6	2. Output and control modules	22
1.16 'FAST' mode	6	2.1 Module PCE-DPD/R	22
1.17 How to operate the menus	7	2.2 Module PCE-DPD/T	22
1.18 Messages and errors	7	2.3 Module PCE-DPD/SSR	23
1.19 Configuration menu	8	2.4 Module PCE-DPD/AV	23
1.19.1 Initial set-up	8	2.6 Module PCE-DPD/MB	24
1.19.2 Configuration for 'cn.1'	8	2.5 Module PCE-DPD/485	24
1.19.3 Configuration for 'cnq.2'	9	2.7 Module PCE-DPD/232	25
1.19.4 Configuration for 'cni.3'	9		
1.19.5 Configuration for 'cnc.4'	9		
1.19.6 Configuration for 'cnd.5'	10		
1.19.7 Configuration for 'rt.6'	10		
1.19.8 Configuration for 'rtq.7'	10		
1.19.9 Configuration for 'Prd.8'	11		
1.19.10 Sensor configuration	11		
1.19.11 Alarms	13		
1.19.12 Fast access	14		
1.19.13 Super fast access	14		
1.19.15 Menu 'On Power Up'	14		
1.19.14 Menu 'Key LE'	14		

1.1 How to order



Options

Up to 3 slots for options availables

- PCE-DPD/R (1 relay SPDT)
- PCE-DPD/AV (analog output mA & Vdc)
- PCE-DPD/MB (Modbus RTU)
- PCE-DPD/485 (RS-485)
- PCE-DPD/233 (RS-232)
- PCE-DPD/T (1 transistor)
- PCE-DPD/SSR (1 SSR control)

1.2 Impulse counter modes

The instrument allows for 5 selectable impulse counter modes :

- Counter ('**cn.1**') (see section 1.19.2)
- Counter quadrature ('**cnq.2**') (see section 1.19.3)
- Counter with inhibition ('**cnl.3**') (see section 1.19.4)
- Counter with control add / subtract ('**cnc.4**') (see section 1.19.5)
- Counter differential ('**cnd.5**') (see section 1.19.6)

Configurable up or down counting, 'reset' at rear terminals, front key and/or at alarm activation. Configurable 'Preset' value. Relay activation and deactivation delays.

Alarm functions with 'return to preset' or 'reset to 0' generate cycles of counting (instrument counts from 'preset' value to alarm value in never ending cycle). The instrument provides memory of cycles counter.

Scalable reading with configurable multiplier factor (1 to 999999) and configurable divider factor (1 to 999999). Memory retention in case or power loss. Retains configuration and last reading.

Counting frequency up to 250 KHz, in '**FAST**' mode (see section 1.16).

1.3 Ratemeter modes

In ratemeter mode the reading is proportional to the measured frequency. The instrument allows for 2 selectable ratemeter modes :

- Ratemeter ('**rt.6**') (see section 1.19.7)
- Ratemeter quadrature ('**rtq.7**') (see section 1.19.8)

The ratemeter mode has a single input channel, with scalable reading. The quadrature ratemeter mode has 2 input channels available for detection of sense of turn when working with quadrature signals. Scalable reading with configurable multiplier factor (1 to 999999) and configurable divider factor (1 to 999999).

For low frequency applications, the '**SLOW**' mode provides the best response time for each application (see section 1.15).

Maximum frequency up to 500 KHz and minimum frequency down to de 0.001 Hz (1 mHz) with '**SLOW**' mode active.

1.4 Periodmeter mode

Reading is proportional to the signal period. Scalable reading with configurable multiplier factor (1 to 999999) and configurable divider factor (1 to 999999).

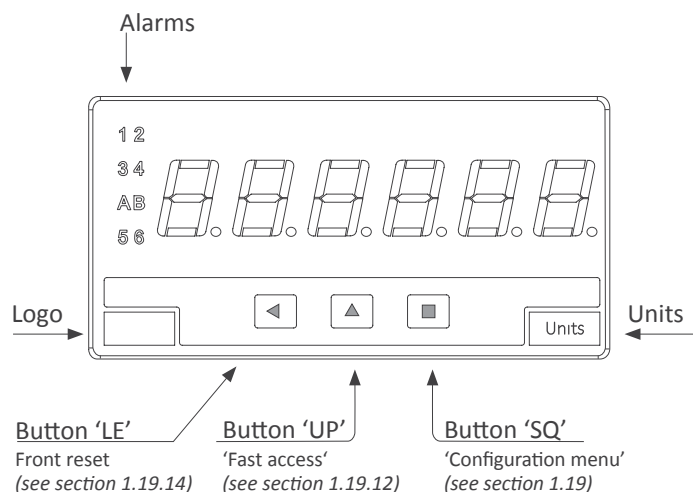
For applications with long periods (slow frequencies), the '**SLOW**' mode provides the best response time for each application (see section 1.15).

1.5 Functions included

Functions included		Section
'Fast access'	yes	1.19.12
'SLOW' mode	yes, for slow frequencies	1.15
'FAST' mode	yes, for fast counting	1.16
Multiplier and divider	from 1 to 999999	1.19.2
Reset configurable	yes (front, rear and linked to alarm activation)	1.19.14 and 1.10 and 1.19.11
Preset	yes	1.19.2
Trigger level	configurable	1.19.10
'Trigger Sense' function	helps to set the trigger	1.13
Sensor selection	by menu	1.19.10
Cycle counter		1.14
Retention memory	yes, recovers with power	1.11
'On Power Up'	yes	1.19.15
Excitation voltage	configurable	1.19.10
Display filters	recursive	1.19.7 and 1.19.8 and 1.19.9
Memory	max., min., cycles	1.19.12
Password	blocks access to configuration menu	1.19.19
Alarms	double setpoints activation delays deactivation delays hysteresis inverted relays locked alarms	1.19.11
Display brightness	5 levels	1.19.22

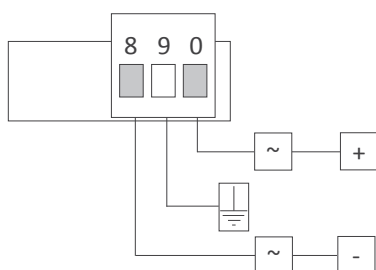
Table 1 - Functions included

1.6 Front view



1.7 Power connections

Earth connection - Although a terminal is provided for earth connection, this connection is optional. The instrument does not need earth connection for correct operation nor for compliance with the security regulations.



Fuse - To comply with security regulation 61010-1, add to the power line a protection fuse acting as disconnection element, easily accessible to the operator and identified as a protection device.

Power '1'	fuse 250 mA time lag
Power '2'	fuse 400 mA time lag

1.8 Sensor configuration and connections

Selecting one of the sensors listed at the 'SnSr' menu entry, will configure the sensor parameters to the values indicated in the table.

The table also indicates the typical connections for each type of sensor. Parameters can be manually modified.

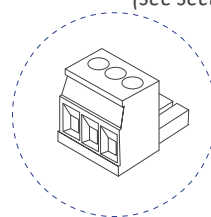
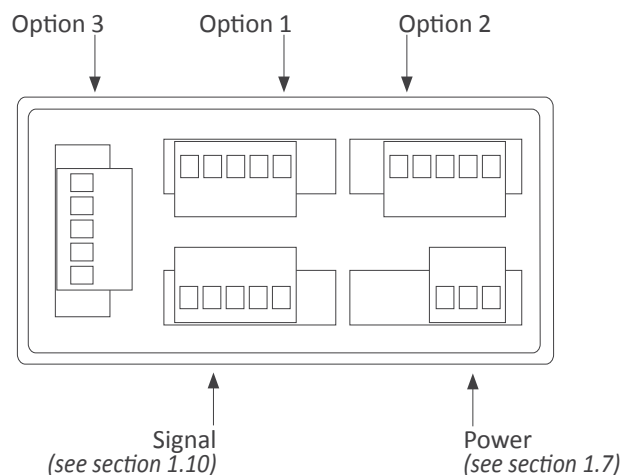
Connections are indicated for a single sensor connected to the channel A. For two sensors (for inhibition control, quadrature signal, etc) apply the same connection criteria also to channel B.

Note : indicated values are typical values. Check the correct specifications with your sensor datasheet and adapt the required configuration and connections as needed.

Sensor	Connections	Pulls	Vexc.	Antirrebound filter	Trigger
Mechanical contact	0 V channel A	pull-up	no	100 mSec.	2,5 Vdc
Namur	channel A Vexc	pull-down	9 Vdc	no	3,0 Vdc
NPN 2 wires	0 V channel A	pull-up	18 Vdc	no	2,5 Vdc
NPN 3 wires	0 V channel A Vexc	pull-up	18 Vdc	no	2,5 Vdc
PNP 2 wires	0 V channel A	pull-down	18 Vdc	no	2,5 Vdc
PNP 3 wires	0 V channel A Vexc	pull-down	18 Vdc	no	2,5 Vdc
Push-pull	0 V channel A Vexc	no	18 Vdc	no	2,5 Vdc
TTL CMOS Pick-up	0 V channel A	no	5 Vdc	no	2,5 Vdc
AC<30 Vp Inductive	0 V channel A	no	no	no	0 Vdc

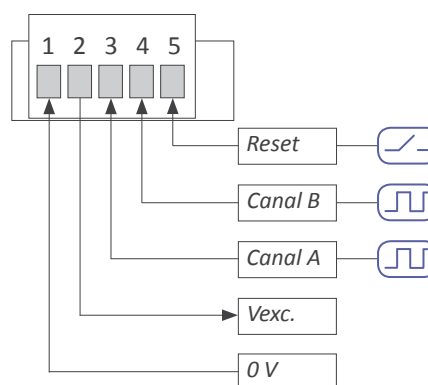
Table 2 - Configuration and connections for different types of sensors.

1.9 Rear view



Detail of the plug-in screw terminals provided with the instrument. The instrument is provided with all terminals needed, both male and female.

1.10 Signal connections



1.11 Technical specifications

Digits	
number of digits	6
led	7 segments led
color	red or green
digit height	14 mm
Reading	
maximum reading	999999
minimum reading	-199999
decimal point	configurable X.X.X.X.X.X.
overrange / underrange	configurable to flash, reset or preset (see section 1.19.16)
display refresh	15 readings / second
memory retention	yes, retains reading value in case of power loss
Signals accepted	NPN, PNP, Namur, pick-up, TTL, inductive, mechanical, quadrature, ...
Max. Vdc at input	±30 Vdc
Input impedance	2K4 with pull-up or pull-down resistor 470K without pull resistor
Accuracy of the quartz	±0.01 %
Thermal drift	20 ppm / °C
Excitation voltage	configurable
output voltage	+18 Vdc, +15 Vdc, +9 Vdc, +5 Vdc
maximum current	70 mA
protection	yes, current limited to 70 mA
Frequencies	counter modes (see Table 3) ratemeter modes (see Table 4) periodmeter modes (see Table 5)
Power	
power '1'	85 to 265 Vac/dc
power '2'	11 to 60 Vdc and 24/48 Vac
isolation*	2500 Veff with power '1' 1500 Veff with power '2' *tested for 60 sec.
consumption	<1.5 W only meter <4.0 W meter with options
Configuration	3 buttons front keypad
Front protection	IP65
Output and control options	relays, analog outputs, serial communications (see section 2)
Mechanical	
mounting	panel
connections	plug-in screw terminal
housing material	ABS, polycarbonate (V0)
weight	<150 grams
front size	96 x 48 mm (1/8 DIN)
panel cut-out	92 x 44 mm
depth from panel	91 mm (including terminals)
Temperature	
operation	from 0 to +50 °C
storage	from -20 to +70 °C
warm-up time	15 minutes

Counter	Mode	Frequency	Section
Counter	'FAST' mode active	max. 250 KHz	1.19.2
	normal mode	max. 9 KHz	1.19.2
Counter + inhibition		max. 9 KHz	1.19.4
Counter + control A/S		max. 9 KHz	1.19.5
Counter differential		max. 9 KHz	1.19.6
Counter quadrature	mode x1	max. 17 KHz	1.19.3
	mode x2	max. 16 KHz	1.19.3
	mode x4	max. 11 KHz	1.19.3

Table 3 - Maximum input frequency for counter modes

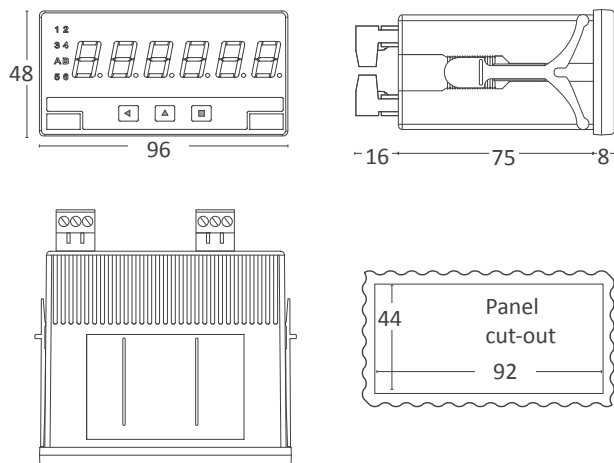
Ratemeter	Mode	Frequency	Section
Ratemeter	normal mode	max. 500 KHz	1.19.7
	'SLOW' mode active	max. 200 Hz min. 1 mHz	1.19.7
Ratemeter quadrature	mode x1	max. 17 KHz	1.19.8
	mode x2	max. 16 KHz	1.19.8
	mode x4	max. 11 KHz	1.19.8

Table 4 - Maximum and minimum input frequency for ratemeter modes

Periodmeter	Mode	Frequency	Section
Periodmeter	normal mode	max. 500 KHz	1.19.9
	'SLOW' mode active	max. 200 Hz min. 1 mHz (1000 sec.)	1.19.9

Table 5 - Maximum and minimum input frequency for periodmeter modes

1.12 Mechanical dimensions (mm)

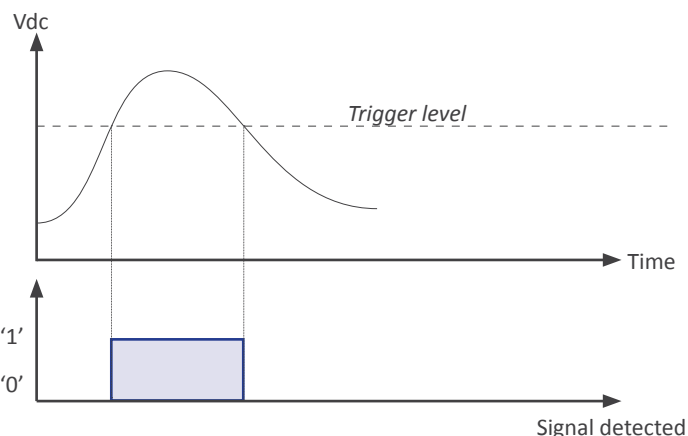
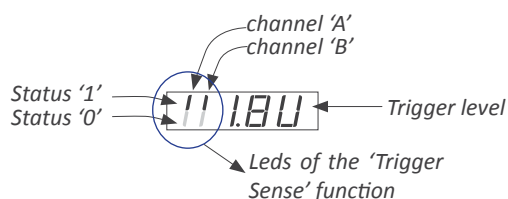


1.13 Function 'Trigger Sense'

The trigger level is automatically configured when selecting a sensor from the 'Sensor / Configuration' ('SnSr' / 'Auto') menu list. The trigger level can be also manually modified from the 'SnSr' / 'TrIG' menu entry. The selected value applies to channels 'A' and 'B' (the reset has a fixed trigger level at 2.5 Vdc).

At the 'SnSr' / 'TrIG' menu, the instrument shows the trigger level and two vertical leds to the left. These leds inform in real time about the status ('0' or '1') of the input channels 'A' and 'B'. When the led switches between up and down position, it indicates that impulses are being detected at the input. If the instrument does not detect impulses, the led positions remain fixed.

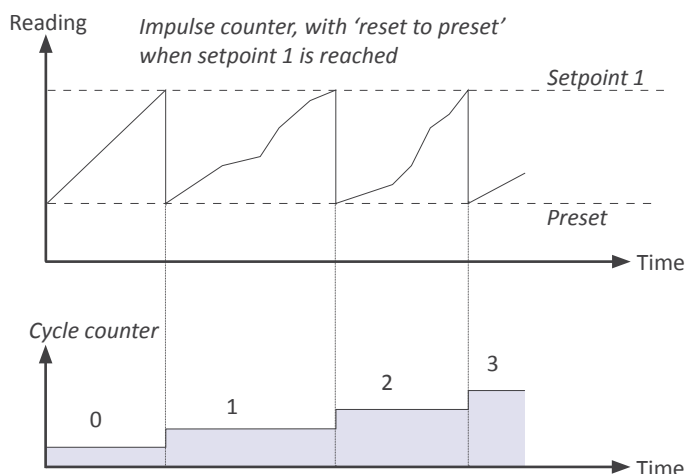
Increase the trigger level pressing key 'UP' (▲) and decrease pressing key 'LE' (◀).



1.14 Function 'cycle counter'

The counter modes allow to activate a reset function (to '0' or to 'preset' value) when an alarm setpoint is reached. With this configuration, the instrument counts in cycles, counting from the instrument preset value up to the alarm setpoint. Each cycle is counted and accumulated into an internal memory, accessible through the 'fast access' menu (key UP (▲) (see section 1.19.12)).

To reset the memory of cycles, visualize the value at the 'uP' menu, then press the (▲) key and the 'rSt' message appears. Press (■) to reset.



1.15 'SLOW' mode

Special working mode for applications with low frequency signals. Applies to ratemeter ('rt.6'), ratemeter quadrature ('rtq.7') and periodmeter ('Prd.8'). The 'SLOW' mode allows to measure slow frequencies down to 1 mHz (0,001 Hz) and is functional up to 200 Hz.

The 'SLOW' mode provides the fastest response time possible for a given application, calculating the frequency and the period based on the time between consecutive impulses.

The 'SLOW' mode needs to define the parameter 'maximum waiting time' to a value between 1 and 1000 seconds. If this time expires without a single impulse being received, the reading jumps to '0' (both for ratemeter and periodmeter modes). The 'GATE' parameter is not used if 'SLOW' mode is active.

In 'ratemeter quadrature' ('rtq.7') mode, the activation of the 'SLOW' mode calculates the frequency based on the time between consecutive impulses received on channel A, and calculates the sense of turn (clockwise or counter-clockwise) by comparing each impulse with the state of channel B. The 'edge' parameter is fixed to a '1--1'. Typical application for quadrature frequency measure with two inductive sensors at low frequency.

1.16 'FAST' mode

Special working mode for counter applications with high frequency signals, up to 250 KHz. Applies only to the counter mode ('cn.1').

The activation of the 'FAST' mode configures the signal detection by rising edge. The first edge detected, either rising or falling edge, after the instrument restart (power-up, or configuration change) is used for internal initialization and will not be counted as impulse.

1.17 How to operate the menus

The instrument has two menus accessible to the user :

'Configuration menu' (key SQ) (■)

'Fast access' menu (key UP) (▲)

Configuration menu

The 'configuration menu' modifies the configuration parameters to adapt the instrument to the application needs. To access the 'configuration menu' press for 1 second the SQ (■) key. This access can be blocked by activating the 'Password' ('PASS') function. While operating the 'configuration menu', the alarm status is 'hold' to the status they had before accessing the menu, and the output and control modules remain in 'error' state. When leaving the 'configuration menu', the instrument applies a system reset, followed by a brief disconnection of the alarms and the output and control modules. Functionality is then recovered.

For a detailed explanation on the 'configuration menu' see section 1.19, and for a full view of the 'configuration menu' structure see section 1.20.

'Fast access' menu

The 'fast access' menu is an operator configurable menu, providing fast and direct access to the most usual functions of the instrument with a single key pad stroke. Press key UP (▲) to access this menu.

See section 1.19.12 for a list of functions eligible for 'fast access' in this instrument. The 'Password' ('PASS') function does not block access to this menu. Accessing and modifying parameters in the 'fast access' menu does not interfere with the normal functionality of the instrument, and it does not generate any system reset when validating the changes.

Front key pad description

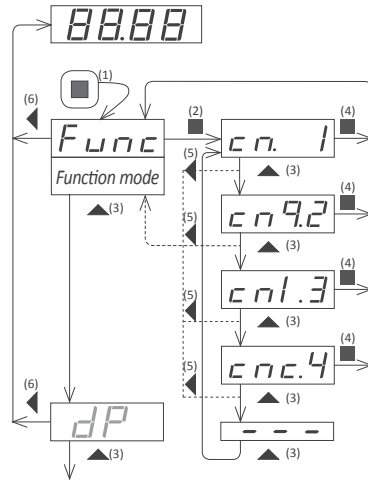
Key SQ (■) - press the SQ (■) key for 1 second to access the 'configuration menu'. Inside the menu, the SQ (■) key functions as a 'ENTER' key. It selects and accesses the menu option currently displayed. At menus with numerical value entries, it validates the number displayed.

Key UP (▲) - the UP (▲) key gives access to the 'fast access' menu. Inside the menus, it moves vertically through the different menu options. At menus with numerical value entries, it modifies the digit selected by increasing its value to 0, 1, 2, 3, 4, 5, 6, 7, 8, 9.

Key LE (◀) - inside the menus, the LE (◀) key functions as the 'ESCAPE' key. It leaves the selected menu, and eventually, will leave the whole menu. When leaving the 'configuration menu' with the LE (◀) key, the changed parameters are activated. At menus with numerical value entries, the LE (◀) key allows to select the active digit. To modify the value of the selected digit use the UP (▲) key.

Menu 'rollback'

After 30 seconds without interaction from the operator, the instrument will rollback and leave the 'configuration menu' or the 'fast access' menu. All changes will be discarded.



Example of operation inside the 'configuration menu'.

1. The SQ (■) key enters into the 'configuration menu'.
2. The SQ (■) key enters into the 'Func' option menu.
3. The UP (▲) key moves through the menu options.
4. The SQ (■) key selects the desired range and returns to the 'Func' menu.
5. The LE (◀) key leaves the actual menu level and moves to the previous menu level.
6. The LE (◀) key leaves the 'configuration menu'. Changes are applied and saved at this moment.

1.18 Messages and errors

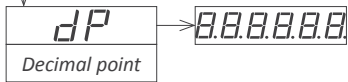
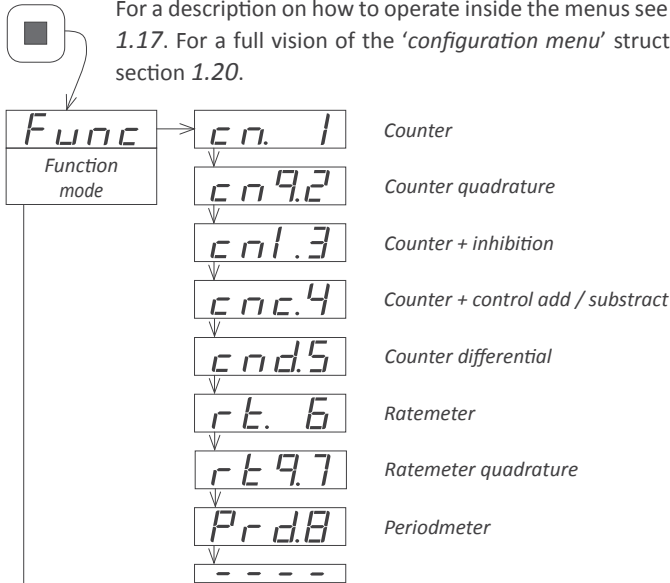
The error messages are shown on display in flash mode.

Messages and errors	
'Err.1'	incorrect password.
'Err.2'	at 'opt.X' menu entry. Installed module is not recognized.
'Err.8'	excitation voltage overload.
'999999'	+ flashing mode. Reading is in overrange.
'-199999'	+ flashing mode. Reading is in underrange.

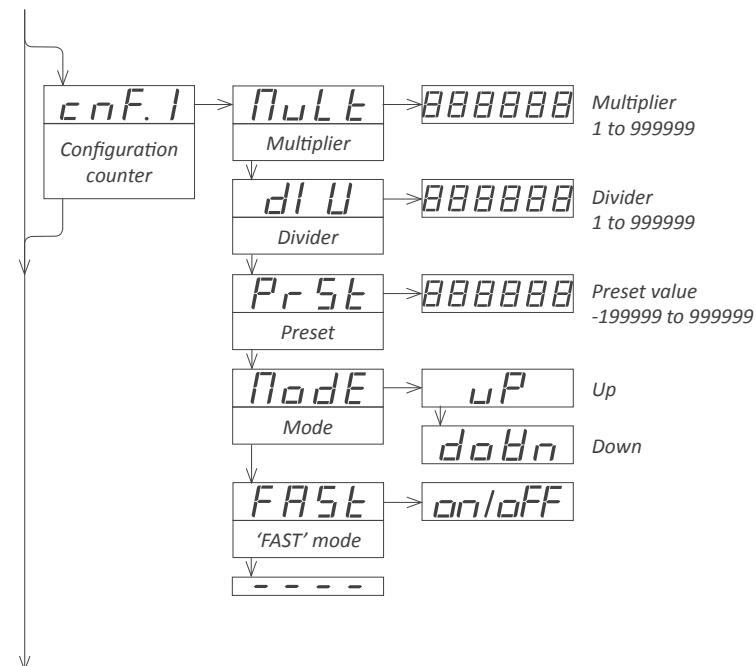
Table 6 - Messages and error codes

1.19 Configuration menu

Press 'SQ' (■) for 1 second to access the 'configuration menu'. For a description on how to operate inside the menus see section 1.17. For a full vision of the 'configuration menu' structure see section 1.20.



The next menu accesses the configuration parameters for the 'function mode' ('Func') selected. Configuration parameters are slightly different for each 'function mode'. In the next entries, all 7 possible configuration menus are explained, 'cnF.1' to 'cnF.7', one for each 'function mode'.



1.19.1 Initial set-up

To configure the initial set up of the instrument, select the function mode, the decimal point position, scale the reading and configure the mode selected and the sensor.

Enter the 'Function mode' ('Func') menu and select the desired function, from the 5 counting modes, 2 ratemeter modes and the periodmeter mode available.

- **'Counter' ('cn. 1')** - normal counter mode. Impulses input at channel A. Channel B disabled.
- **'Counter quadrature' ('cnq.2')** - counter mode for quadrature signals. Impulses input at channel A and B, in quadrature.
- **'Counter + inhibition' ('cni.3')** - counter mode with inhibition control. Impulses input at channel A. Inhibition control on channel B.
- **'Counter + control add / subtract' ('cnc.4')** - counter mode with control for add / subtract. Impulses input at channel A. Control for the add or subtract function on channel B.
- **'Counter differential' ('cnd.5')** - counter mode with differential function. Impulses received at channel A add. Impulses received at channel B subtract.
- **'Ratemeter' ('rt.6')** - ratemeter mode. Impulses input at channel A. Channel B disabled.
- **'Ratemeter quadrature' ('rtq.7')** - ratemeter mode for quadrature signals. Impulses input at channel A and B, in quadrature.
- **'Periodmeter' ('Prd.8')** - periodmeter mode. Impulses input at channel A. Channel B disabled.

Access the 'Decimal point' ('dP') menu to select the decimal point position. Move the decimal point by pressing the 'LE' (◀) key.

Configure the function mode selected ('cnF.2' to 'cnF.8'). See sections 1.19.2 to 1.19.9.

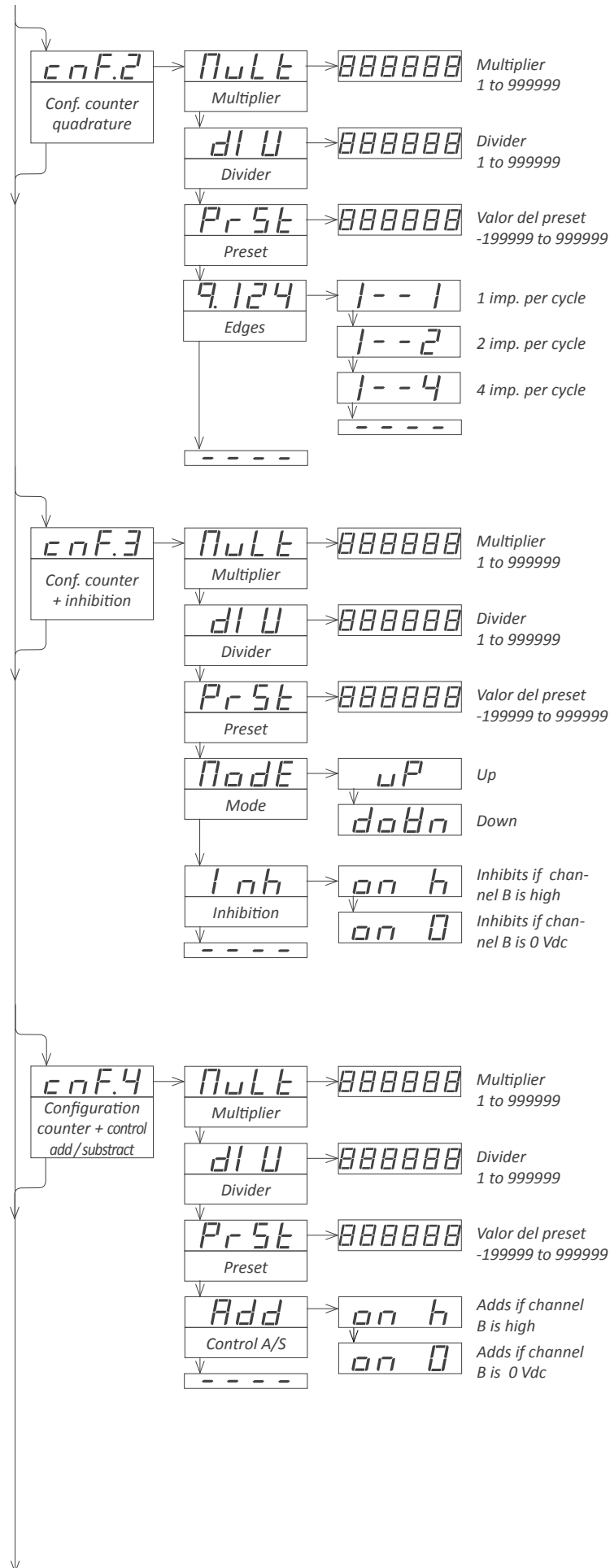
Configure the sensor at the 'SnSr' menu. See section 1.19.10.

1.19.2 Configuration for 'cn.1'

Configuration menu for mode 'counter' ('cn.1'). Total impulses received are multiplied by the value of the 'multiplier' ('MuLt') register and divided by the 'divider' ('dIV') register. Result is refreshed on the display.

- assign the value for parameter 'Multiplier' ('MuLt') from 1 to 999999.
- assign the value for parameter 'Divider' ('dIV') from 1 to 999999.
- assign the value for 'Preset' ('PrSt') from -199999 to 999999. Reset activation loads on display the preset value.
- select the counting mode ('ModE') to 'uP' for upwards counting (impulses received add) or 'doWn' for downwards counting (impulses received subtract).
- to activate the 'FAST' mode ('FASt') select 'on'. See section 1.16 for more information on the 'FAST' mode.

1.19 Configuration menu (cont.)



1.19.3 Configuration for 'cnq.2'

Configuration menu for mode 'counter quadrature' ('cnq.2'). Total impulses received are multiplied by the value of the 'multiplier' ('MuLt') register and divided by the 'divider' ('dIV') register. Result is refreshed on the display.

- assign the value for parameter 'Multiplier' ('MuLt') from 1 to 999999.
- assign the value for parameter 'Divider' ('dIV') from 1 to 999999.
- assign the value for 'Preset' ('PrSt') from -199999 to 999999. Reset activation loads on display the preset value.
- select the 'edges' to count for each quadrature cycle ('q.124'). Select '1--1' for 1 impulse per quadrature cycle. Select '1--2' for 2 impulses per quadrature cycle. Select '1--4' for 4 impulses per quadrature cycle.

1.19.4 Configuration for 'cni.3'

Configuration menu for mode 'counter + inhibition control' ('cni.3'). Total impulses received are multiplied by the value of the 'multiplier' ('MuLt') register and divided by the 'divider' ('dIV') register. Result is refreshed on the display.

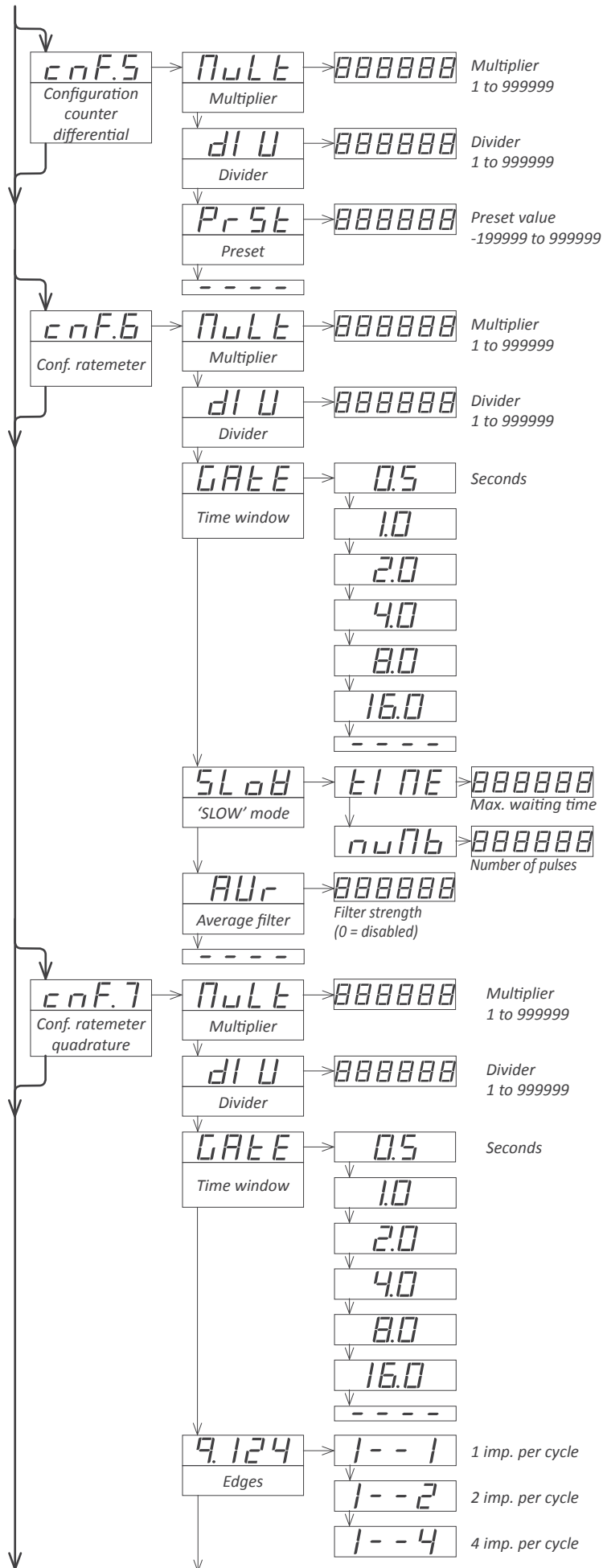
- assign the value for parameter 'Multiplier' ('MuLt') from 1 to 999999.
- assign the value for parameter 'Divider' ('dIV') from 1 to 999999.
- assign the value for 'Preset' ('PrSt') from -199999 to 999999. Reset activation loads on display the preset value.
- select the counting mode ('ModE') to 'uP' for upwards counting (impulses received add) or 'doWn' for downwards counting (impulses received subtract).
- select the activation mode for the 'inhibition' ('Inh') control. Select 'on_h' to inhibit the counting when channel B is at logical state '1'. Select 'on_0' to inhibit the counting when channel B is at logical state '0'.

1.19.5 Configuration for 'cnc.4'

Configuration menu for mode 'counter + control add / subtract' ('cnc.4'). Total impulses received are multiplied by the value of the 'multiplier' ('MuLt') register and divided by the 'divider' ('dIV') register. Result is refreshed on the display.

- assign the value for parameter 'Multiplier' ('MuLt') from 1 to 999999.
- assign the value for parameter 'Divider' ('dIV') from 1 to 999999.
- assign the value for 'Preset' ('PrSt') from -199999 to 999999. Reset activation loads on display the preset value.
- select the activation mode for the 'control add / subtract' ('Add'). Select 'on_h' activates the addition of impulses received on channel A when channel B is at logical state '1' (impulses on channel A subtract if channel B is at logical state '0'). Select 'on_0' activates the addition of impulses received on channel A when channel B is at logical state '0' (impulses on channel A subtract if channel B is at logical state '1').

1.19 Configuration menu (cont.)



1.19.6 Configuration for 'cnd.5'

Configuration menu for mode 'counter differential' ('cnd.5'). Total impulses received are multiplied by the value of the 'multiplier' ('MuLt') register and divided by the 'divider' ('dIV') register. Result is refreshed on the display.

- assign the value for parameter 'Multiplier' ('MuLt') from 1 to 999999.
- assign the value for parameter 'Divider' ('dIV') from 1 to 999999.
- assign the value for 'Preset' ('PrSt') from -199999 to 999999. Reset activation loads on display the preset value.

Impulses received on channel A add. Impulses received on channel B subtract.

1.19.7 Configuration for 'rt.6'

Configuration menu for mode 'ratemeter' ('rt.6'). Frequency measured is multiplied by the value of the 'multiplier' ('MuLt') register and divided by the 'divider' ('dIV') register. Result is refreshed on the display. Measure is updated at the rate defined on the 'GATE' register.

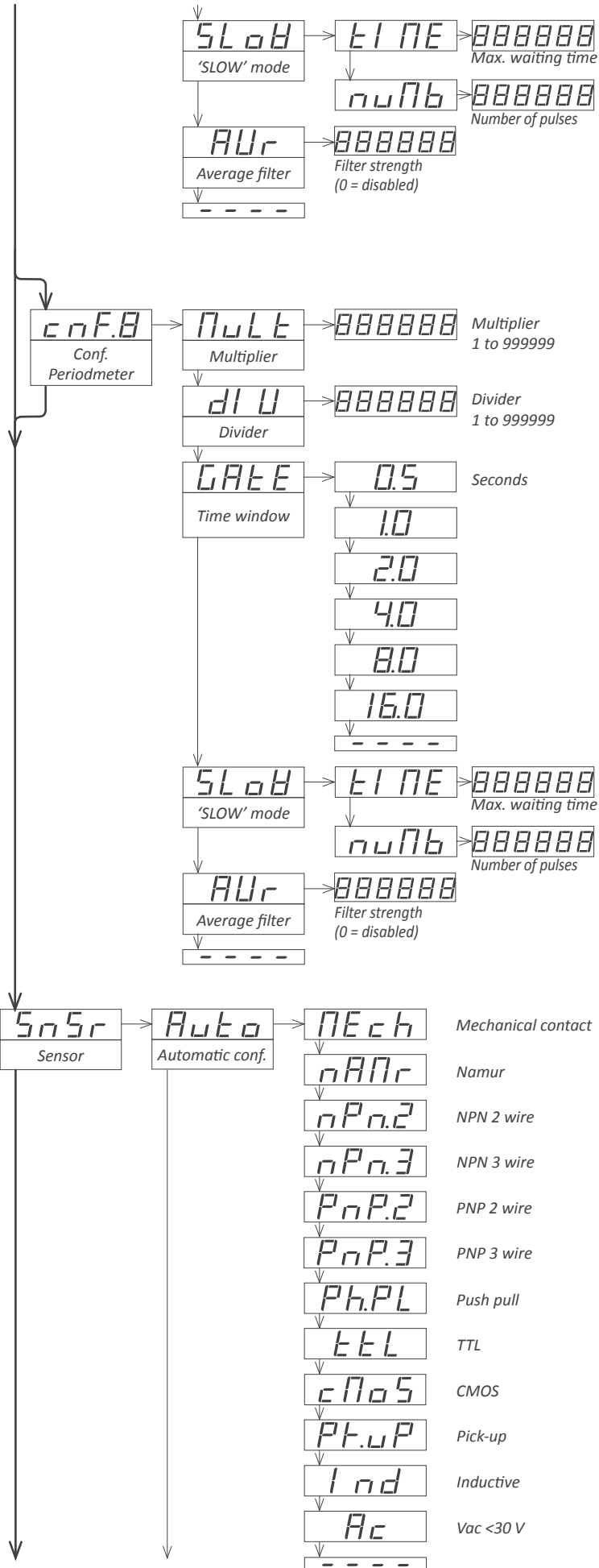
- assign the value for parameter 'Multiplier' ('MuLt') from 1 to 999999.
- assign the value for parameter 'Divider' ('dIV') from 1 to 999999.
- select the value for the 'Time window' ('GATe'). Available values are : 0.5, 1.0, 2.0, 4.0, 8.0 or 16.0 seconds. The time window defines the display refresh time. This parameter has no effect if the 'SLOW' mode is active.
- for slow frequencies activate the 'SLoW' parameter configuring the 'tIME' parameter between 1 and 1000 seconds. Configure the 'nuMb' parameter between 1 and 32 impulses. See section 1.15 for more information on the 'SLoW' mode.
- in case of unstable signals, activate the 'average filter' ('AVr') function. It activates a recursive filter on the reading. the filter is stronger for higher values, from 0.0 to 99.9.

1.19.8 Configuration for 'rtq.7'

Configuration menu for mode 'ratemeter quadrature' ('rtq.7'). Frequency measured is multiplied by the value of the 'multiplier' ('MuLt') register and divided by the 'divider' ('dIV') register. Result is refreshed on the display. Measure is updated at the rate defined on the 'GATE' register.

- assign the value for parameter 'Multiplier' ('MuLt') from 1 to 999999.
- assign the value for parameter 'Divider' ('dIV') from 1 to 999999.
- select the value for the 'Time window' ('GATe'). Available values are : 0.5, 1.0, 2.0, 4.0, 8.0 or 16.0 seconds. The time window defines the display refresh time. This parameter has no effect if the 'SLOW' mode is active.
- select the 'edges' to count for each quadrature cycle ('q.124'). Select '1--1' for 1 impulse per quadrature cycle. Select '1--2' for 2 impulses per quadrature cycle. Select '1--4' for 4 impulses per quadrature cycle.

1.19 Configuration menu (cont.)



- for slow frequencies activate the 'SLoW' parameter configuring the 'tIME' parameter between 1 and 1000 seconds. Configure the 'nuMb' parameter between 1 and 32 impulses. See section 1.15 for more information on the 'SLoW' mode.
- in case of unstable signals, activate the 'average filter' ('AVr') function. It activates a recursive filter on the reading. the filter is stronger for higher values, from 0.0 to 99.9.

1.19.9 Configuration for 'Prd.8'

Configuration menu for mode 'periodmeter' ('Prd.8'). Period measured is multiplied by the value of the 'multiplier' ('MuLt') register and divided by the 'divider' ('diV') register. Result is refreshed on the display. Measure is updated at the rate defined on the 'GATE' register.

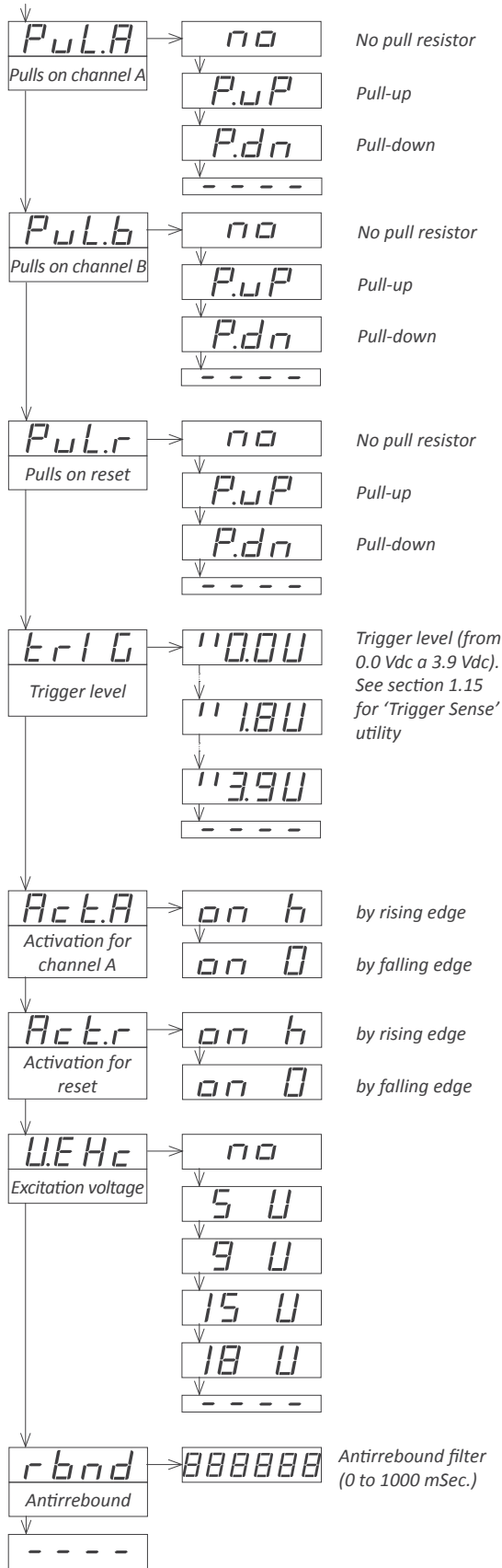
- assign the value for parameter 'Multiplier' ('MuLt') from 1 to 999999.
- assign the value for parameter 'Divider' ('diV') from 1 to 999999.
- select the value for the 'Time window' ('GATE'). Available values are : 0.5, 1.0, 2.0, 4.0, 8.0 or 16.0 seconds. The time window defines the display refresh time. This parameter has no effect if the 'SLOW' mode is active.
- for long periods activate the 'SLoW' parameter configuring the 'tIME' parameter between 1 and 1000 seconds. Configure the 'nuMb' parameter between 1 and 32 impulses. See section 1.15 for more information on the 'SLoW' mode.
- in case of unstable signals, activate the 'average filter' ('AVr') function. It activates a recursive filter on the reading. the filter is stronger for higher values, from 0.0 to 99.9.

1.19.10 Sensor configuration

The sensor configuration menu ('SnSr') provides configuration for the input section of the instrument, the excitation voltage and the trigger level, for accurate detection of the impulses.

- 'Automatic configuration' ('Auto') - if a standard sensor is used, select one of the sensors provided at the 'Auto' menu list. The instrument will automatically configure the parameters according to Table 2 (see section 1.8). If this configuration does not detect impulses, manually modify the values for the parameters indicated below.

1.19 Configuration menu (cont.)



• **'Pulls on channel A' ('PuL.A')** - activates pull resistors at channel A. Select **'P.uP'** to activate pull-up resistors (needed for NPN sensors). Select **'P.dn'** to activate pull-down resistors (needed for PNP sensors). Pull-up and pull-down selection configure the trigger level to 2,5 Vdc.

• **'Pulls on channel B' ('PuL.b')** - see previous menu entry 'Pulls on channel A'.

• **'Pulls on reset' ('PuL.r')** - see previous menu entry 'Pulls on channel A'. Trigger level for reset channel is fixed to 2,5 Vdc.

• **'trigger level' ('trIG')** - input signal value in Vdc at which the instrument detects impulse. Selectable between 0,0 and 3,9 Vdc. Trigger level is the same for channels A and B. Trigger level for reset channel is fixed at 2,5 Vdc. The two leds at the left of the trigger level are part of the 'Trigger Sense' utility for easy location of the proper trigger level (see section 1.13).

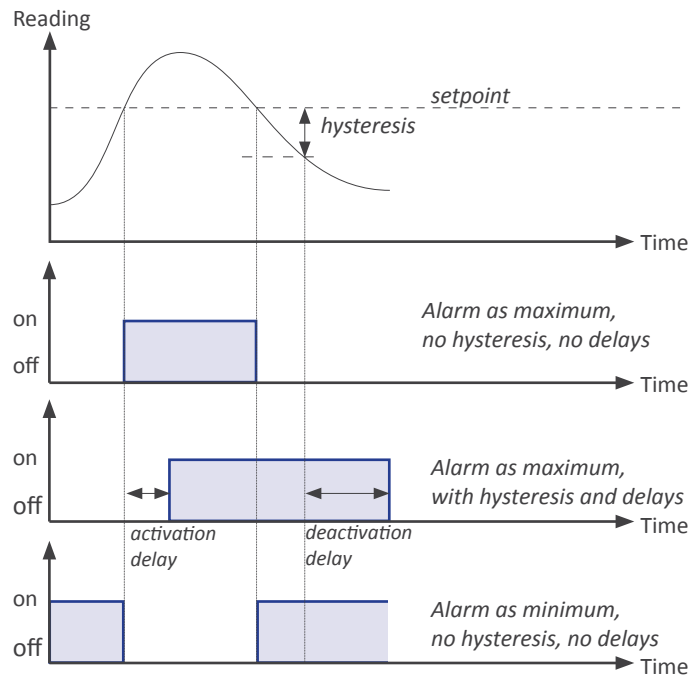
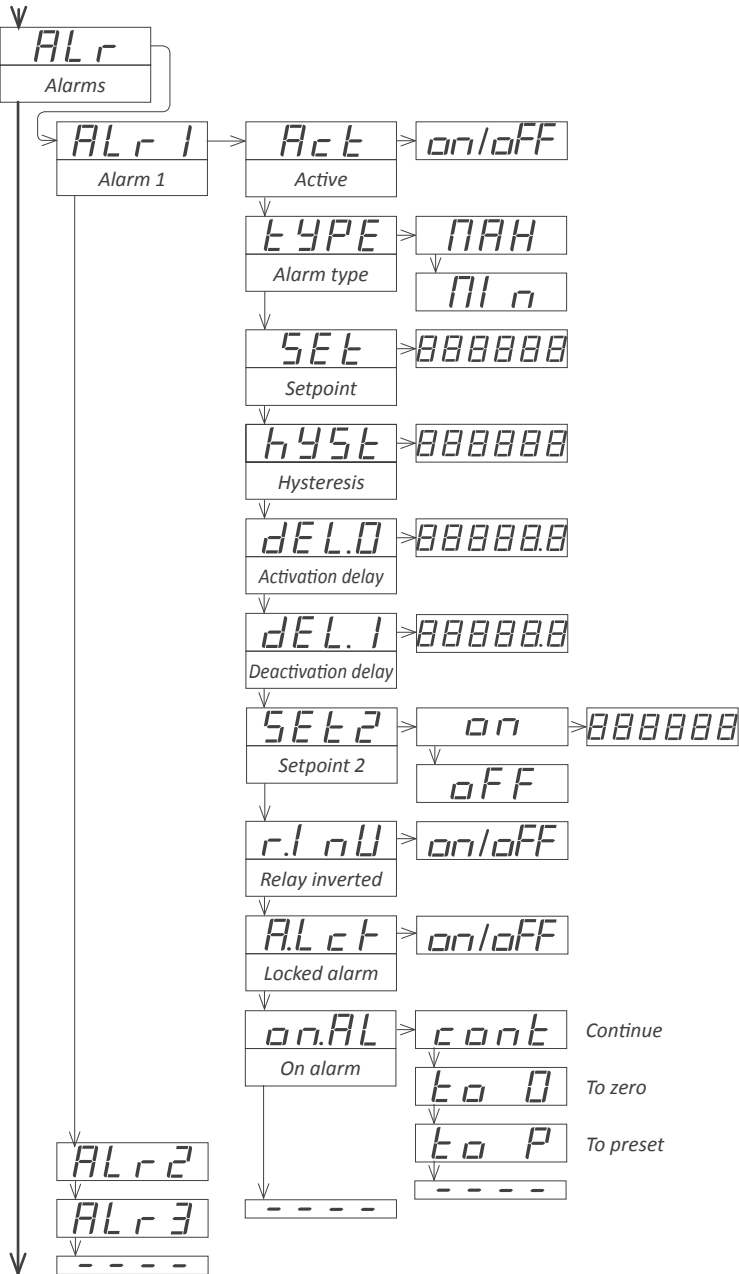
• **'Activation for channel A' ('Act.A')** - configures the activation of channel A by rising edge ('on_h') or by falling edge ('on_0')

• **'Activation for reset channel' ('Act.r')** - configures the activation of the reset channel by rising edge ('on_h') or by falling edge ('on_0')

• **'Excitation voltage' ('V.EXC')** - configures the value of the excitation voltage at 5 Vdc, 9 Vdc, 15 Vdc and 18 Vdc. Select 'no' to disable the excitation voltage.

• **'Antirrebound filter' ('rbnd')** - the antirrebound filter blocks additional rebounds (typically from a mechanical contact sensor) from the same single impulse, preventing that a single impulse counts for more than 1. Value between 0 mSeconds and 1000 mSeconds. When an impulse is received, impulse detection is disabled for the duration of the time configured in this parameter. After time has passed, impulse detection is enabled again. Recommended value for a mechanical contact : 100 mSeconds.

1.19 Configuration menu (cont.)

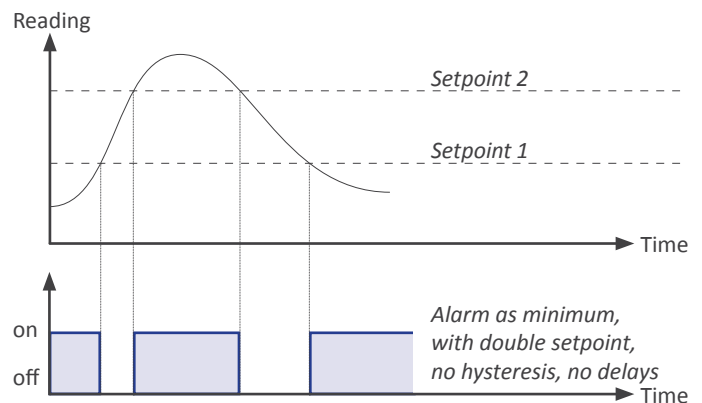


1.19.11 Alarms

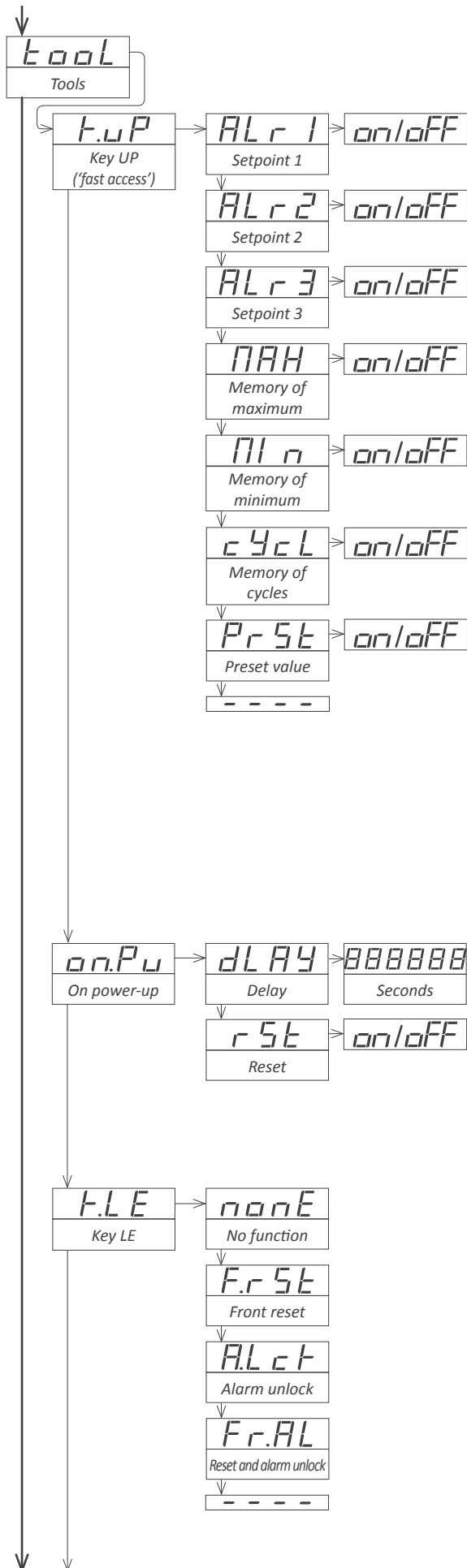
The 'Alarms' ('ALr') menu configures the independent activation of up to 3 relay outputs (or transistor or SSR modules), installed with the ALr1 optional modules (or T or SSR) (see section 2.1). The alarm states are indicated in the front display with leds marked as '1', '2' and '3'.

To configure an alarm, enter into the alarm menu ('ALr1', 'ALr2' or 'ALr3') and configure the following parameters :

- select 'Active' ('Act') to 'on'
- at 'Alarm type' ('Type') select the alarm to act as a maximum type alarm ('MAX') or a minimum type alarm ('Min'). The maximum type alarm (or minimum type alarm) activates when the display value is higher (or lower) than the setpoint value.
- at 'Setpoint' ('Set') enter the value for the alarm activation point. This parameter is eligible for configuration through the 'Fast access' menu (see section 1.19.12).
- configure the hysteresis value at 'Hysteresis' ('hyst'). The hysteresis applies to the deactivation process of the alarm. The alarm deactivates when the reading has passed the setpoint value plus the hysteresis value. Hysteresis helps to avoid repetitive switching of the alarm relays, due to fluctuating input signals around the setpoint.
- at 'Activation delay' ('dEL.0') configure the delay to apply before alarm activation. The activation delay starts counting when the setpoint value is passed. Value from 0.0 to 99.9 seconds.
- at 'Deactivation delay' ('dEL.1') configure the delay to apply before alarm deactivation. The deactivation delay starts counting when the setpoint value plus the hysteresis value, is passed. Value from 0.0 to 99.9 seconds.
- to work with 'windowed alarms' (see graphical example below) activate 'Setpoint 2' ('Set2') to 'on' and then configure the desired second setpoint value. Second setpoint must always be higher in value than the first setpoint.
- the 'Relay inverted' ('r.Inv') parameter inverts the normal relay connections. When set to 'on' the relay will be active when alarm is inactive. For security applications where an inactive relay controls the shutdown of the system.
- the 'Locked alarm' ('A.Lck') parameter disables the automatic deactivation of the alarm. Alarm deactivation must be performed manually, by pressing the 'LE' front button (see section 1.19.14)
- the 'On alarm' ('on.AL') parameter assigns a predefined behaviour when alarm is activated. Select 'cont' to continue counting. Select 'to_0' to load '0' on displays. Select 'to_p' to load preset value on display. Parameter 'dEL.1' is set to 1 second when 'to_0' or 'to_p' are selected.



1.19 Configuration menu (cont.)



1.19.12 Fast access

The 'UP' (▲) key at the front of the instrument gives access to a list of functions configurable by the operator. See section 1.17 for an explanation on how to operate the 'fast access' menu.

The 'Key UP (Fast access)' ('K.uP') menu allows to select which functions will be accessible through the 'fast access' menu. Select 'on' to activate each function.

- the 'Setpoint 1' ('ALr1') function allows to visualize and modify the alarm 1 setpoint through the 'fast access' menu.
- the 'Setpoint 2' ('ALr2') function allows to visualize and modify the alarm 2 setpoint through the 'fast access' menu.
- the 'Setpoint 3' ('ALr3') function allows to visualize and modify the alarm 3 setpoint through the 'fast access' menu.
- the 'Memory of maximum' ('MAX') or 'Memory of minimum' ('MIn') functions allow to visualize the maximum or minimum reading value stored in memory. To reset this value, visualize the memory value at the 'fast access' menu with key UP (▲) and when message 'rSt' is displayed, press (■) to reset.
- the 'Memory of cycles' ('cYcL') function allow to visualize and reset the memory of cycles. To reset this value, visualize the memory value at the 'fast access' menu with key UP (▲) and when message 'rSt' is displayed, press (■) to reset. The memory of cycles counts '+1' each time a reset alarm occurs ('on_AL' / 'to_0' or 'to_P') or a reset by 'overrange' / 'underrange' occurs.
- the 'Preset value' ('PrSt') function allows to visualize and modify the preset value configured.

1.19.13 Super fast access

If only a single function is selected for the 'fast access' menu, pressing the 'UP' (▲) key will shortly display the function name and then automatically jump to the function value.

1.19.15 Menu 'On Power Up'

The 'On Power Up' ('on.Pu') menu configures functions to apply at start-up. It applies only to instrument restart after power loss. It does not apply to instrument restart due to change in configuration.

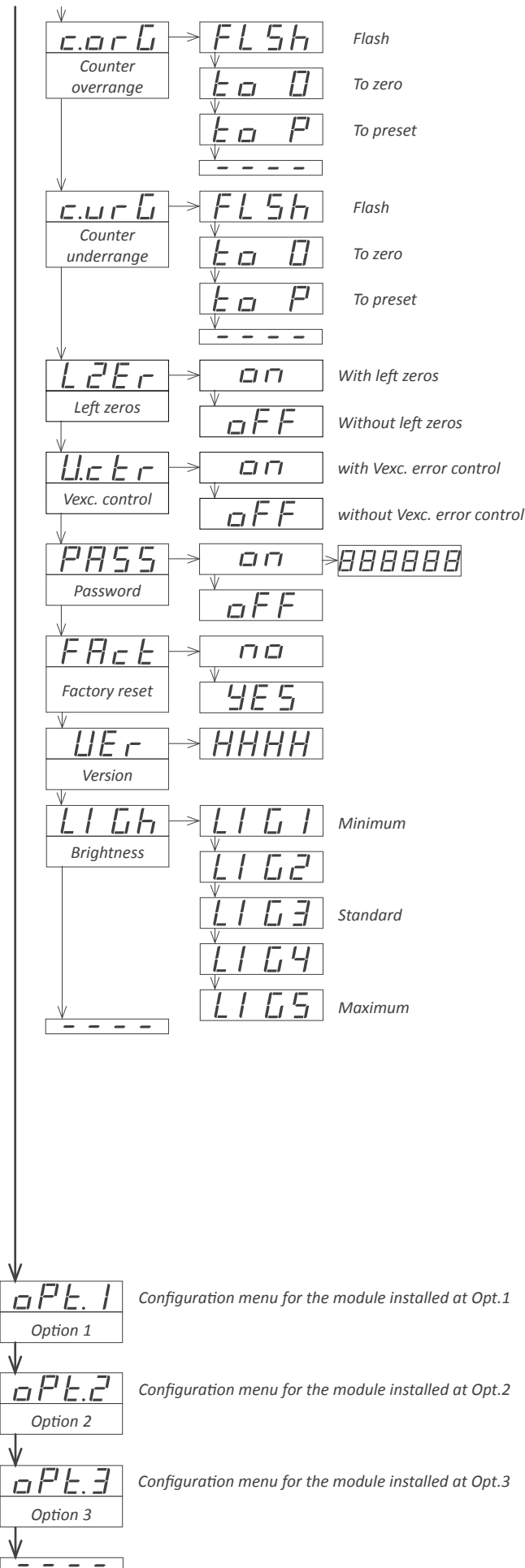
- parameter 'Delay' ('dLAY') assigns a waiting time in seconds. The instrument waits the configured time before starting normal function. During this waiting time, the display shows all decimal points on in flash mode, all alarms are in 'oFF' state, there is no signal acquisition and there is no communications or control being performed. After the configured time is over, the instrument starts in normal function. Delay value between 0 and 200 seconds.
- the 'Reset' ('rSt') parameter will execute a reset of the counter each time the instrument is restarted.

1.19.14 Menu 'Key LE'

The 'LE' (◀) key at the front of the instrument can be configured to activate a function.

- the 'No function' ('nonE') value assigns no function.
- the 'Front reset' ('FrSt') value assigns the reset function.
- the 'Alarm unlock' ('A.Lck') value assigns the manual unlock of the alarms function, for instruments with the 'Locked alarms' ('A.Lck') function activated (see section 1.19.11)
- the 'Reset and alarm unlock' ('Fr.AL') assigns the two previous functions to the same button.

1.19 Configuration menu (cont.)



1.19.16 Menus 'Overrange / underrange'

The 'Counter overrange' ('c.orG') and 'Counter underrange' ('c.urG') parameters configure the behavior of the instrument when reading is higher than '9999' (overrange) or lower than '-1999' (underrange). Select 'FLSH' to enter reading into flash mode. Select 'to_0' to apply a reset to '0'. Select 'to_P' to apply a reset to preset value.

1.19.17 Left zeros

The 'Left zeros' ('L.ZEr') parameter controls the left zeros on or off.

1.19.18 Vexc. control

The 'Vexc control' ('V.ctr') parameters enables the 'Err.8' message, when consumption requested to the excitation voltage is higher than the current the instrument can provide.

1.19.19 Function 'Password'

At the 'Password' ('PASS') menu select a 6 digit code to block access to the 'configuration menu'. Instrument configuration will not be accessible to non authorized personnel. To activate the 'Password' select 'on' and introduce the code.

The code will be requested when trying to access the 'configuration menu' (key 'SQ' (■)). The 'fast access' menu is not password protected.

1.19.20 Factory reset

At the 'Factory reset' ('FAct') menu, select 'yes' to load the default factory configuration for the instrument (see section 1.21).

1.19.21 Firmware version

The 'Version' ('VER') menu informs of the current firmware version installed in the module.

1.19.22 Brightness

At the 'Brightness' ('LIGH') menu select the light intensity for the front leds. With this function it is possible to adapt the instrument to the environment light intensity.

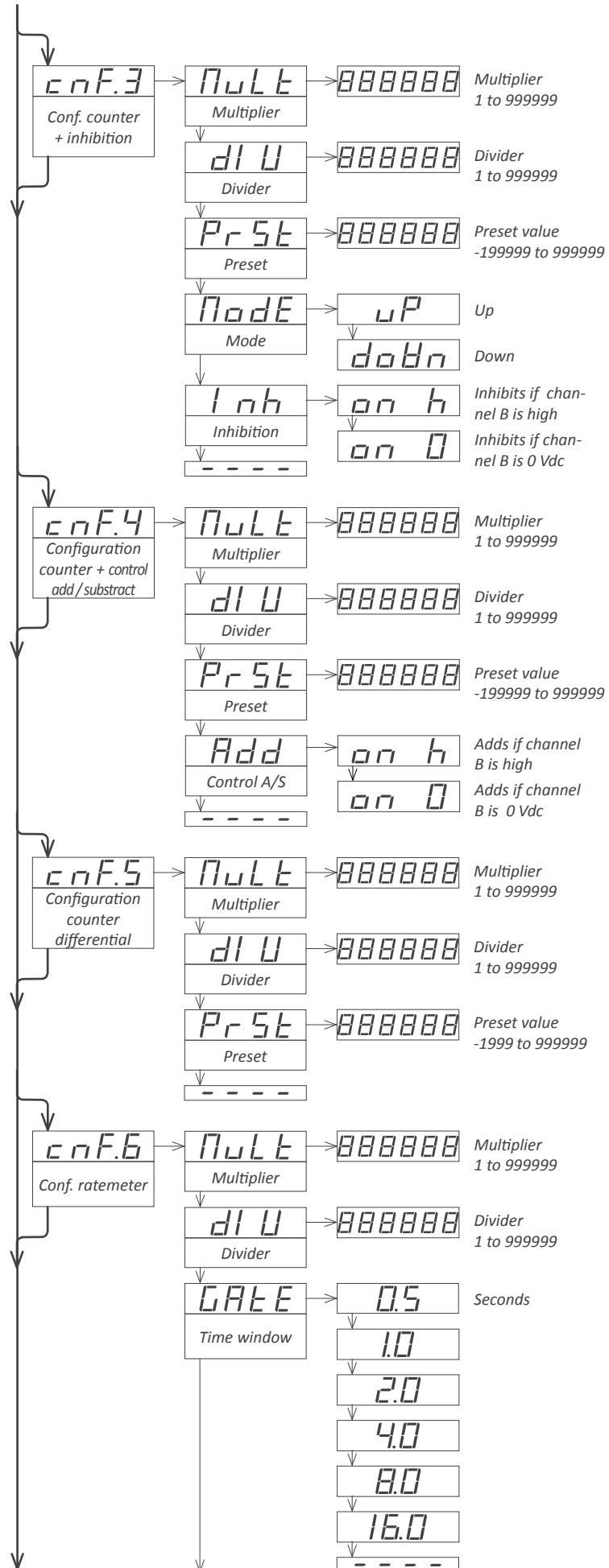
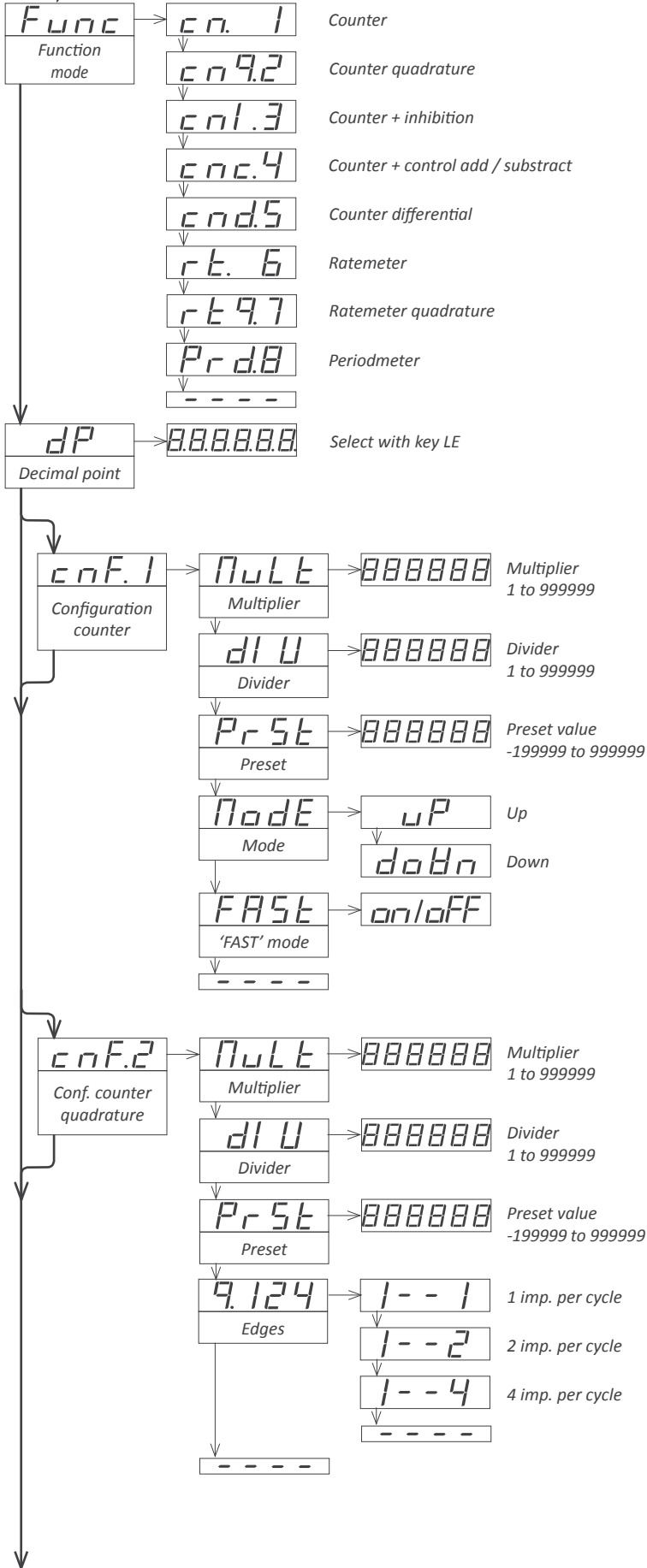
1.19.23 Access to optional modules

Menus 'Opt.1', 'Opt.2' and 'Opt.3' give access to the 'configuration menus' of the output and control modules installed at slots Opt.1, Opt.2 and Opt.3.

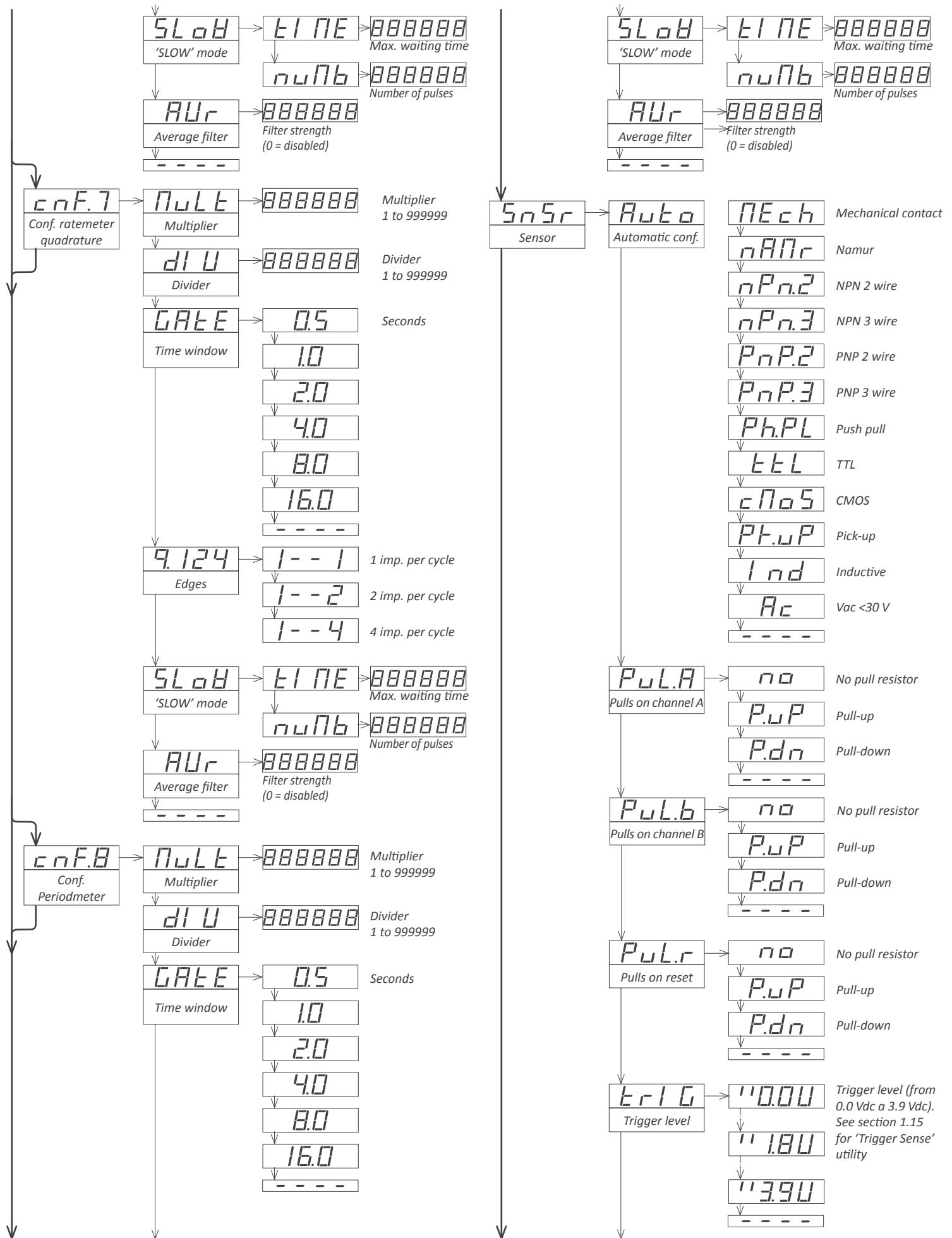
See section 2 for a list of output and control modules available for each slot. The 'configuration menu' of each module is described at the User's Manual of each module.

1.20 Full configuration menu

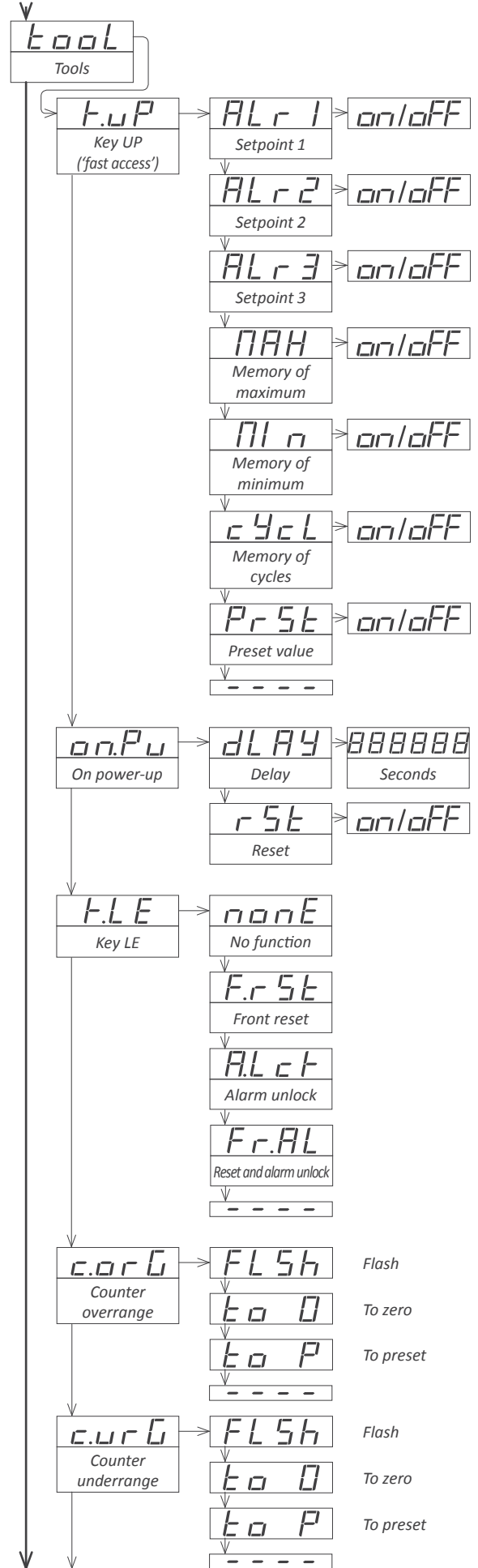
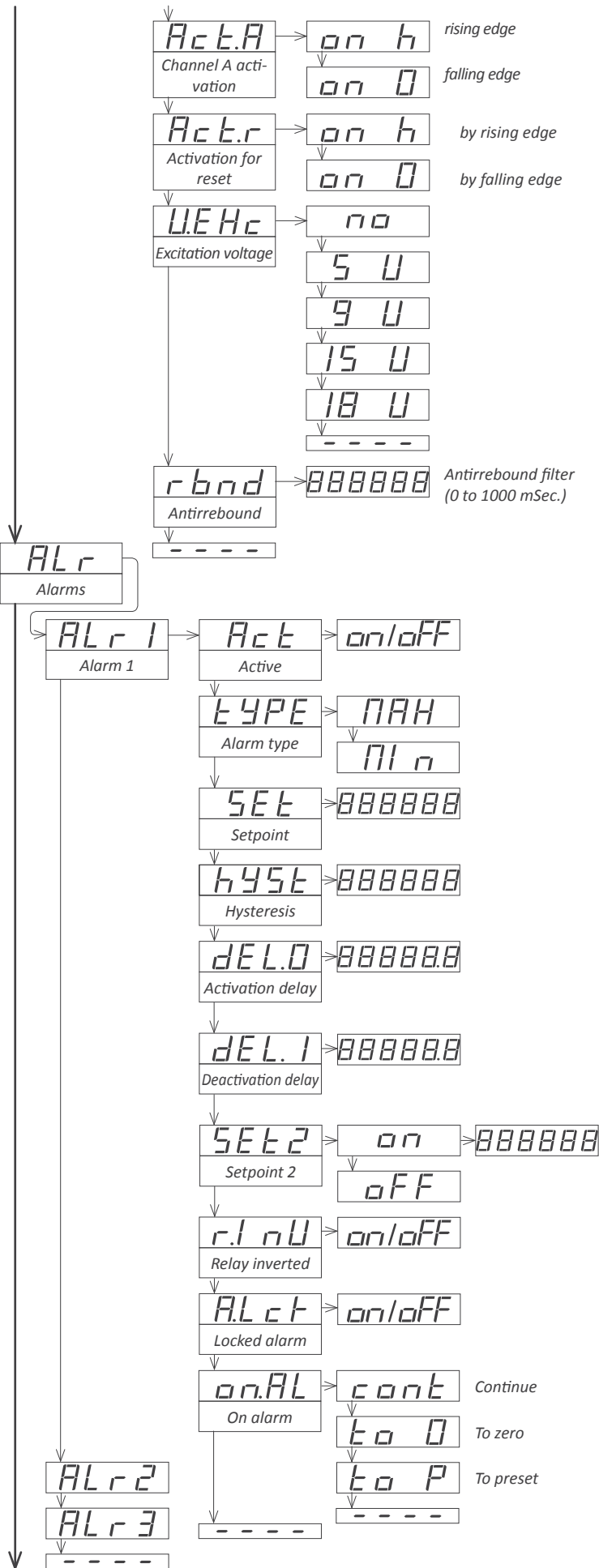
Press 'SQ' (■) for 1 second to access the 'Configuration menu'. See section 1.19 for a description of each menu entry.



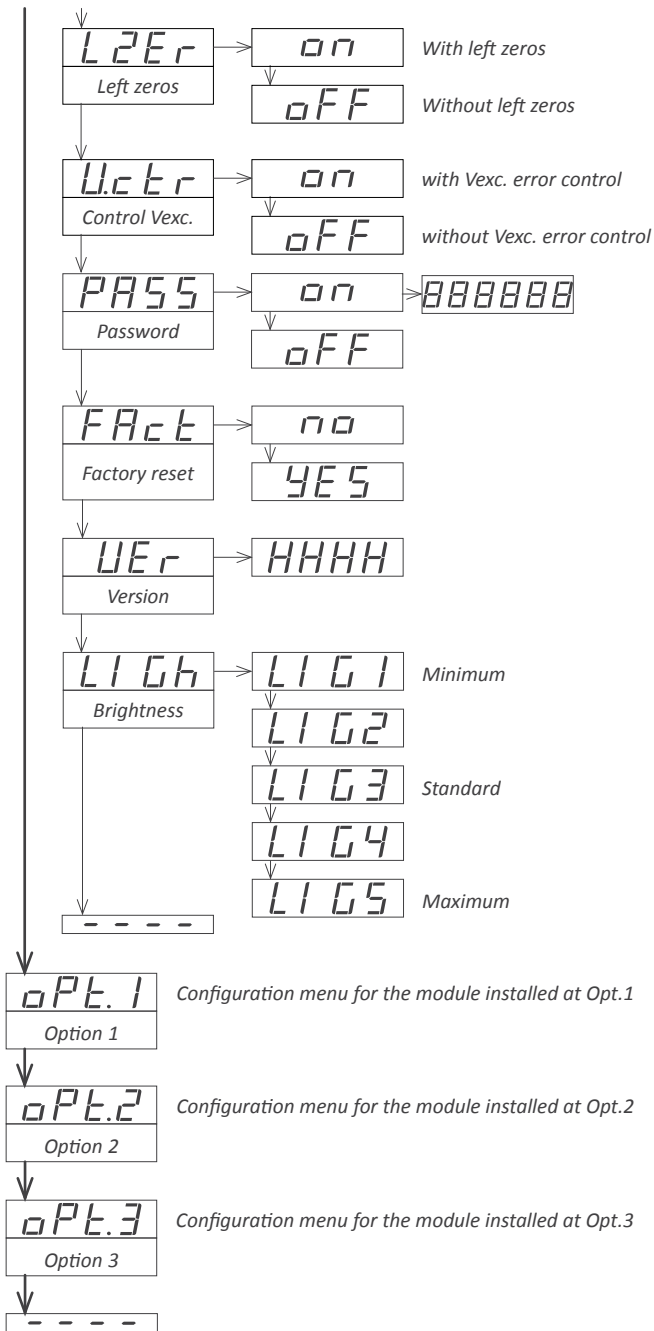
1.20 Full configuration menu (cont.)



1.20 Full configuration menu (cont.)



1.20 Full configuration menu (cont.)



1.21 Factory configuration

Function	counter ('cn.1')
Decimal point	no
Counter configuration	
Multiplier	x1
Divider	/1
Preset	0
Mode	up
'FAST'	off
Sensor	
Pulls on channel A	no pull resistor
Pulls on channel B	no pull resistor
Pulls on reset	pull-up
Trigger	2,5 Vdc
Activation for channel A	on rising edge ('on_h')
Excitation voltage	5 Vdc
Antirrebound filter	0 mSeconds
Tools	
Fast access (Key UP)	off
'On Power Up'	
Delay	0 seconds
Key 'LE'	reset function
Memory of maximum	-199999
Memory of minimum	999999
Memory of cycles	0
Counter overrange	flash
Counter underrange	flash
Left zeros	off
Vexc. control	off
Password	off
Brightness	3
Alarms 1,2 and 3	
Active	off (disabled)
Type	maximum
Setpoint	1000
Hysteresis	0 counts
Activation delay	0.0 seconds
Deactivation delay	0.0 seconds
Setpoint 2	off
On Alarm	continue
Inverted relay	off
Locked alarms	off

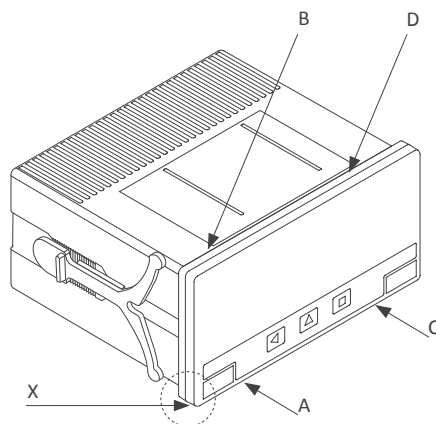
Factory configuration for Ratemeter ('cnF.6) and periodmeter ('cnF.8) modes.

Multiplier	x1
Divider	/1
Time windows	0.5
'SLOW' mode	
tIME	0 (off)
nuMb	1
Recursive filter	0 (off)

1.22 To access the instrument

To open the housing, use a flat screwdriver to free the fixation clips, if possible, in the following order : D, C, B and A. Remove the front cover. Let the inside of the instrument slide out of the housing.

To reinsert the instrument make sure that all modules are correctly connected to the pins on the display module. Place all the set into the housing, assuring that the modules correctly fit into the internal guiding slides of the housing. Once introduced, place again the front cover in front of the housing, placing first corner 'X' and then inserting clips 'A', 'B', 'C' and 'D' in this order.



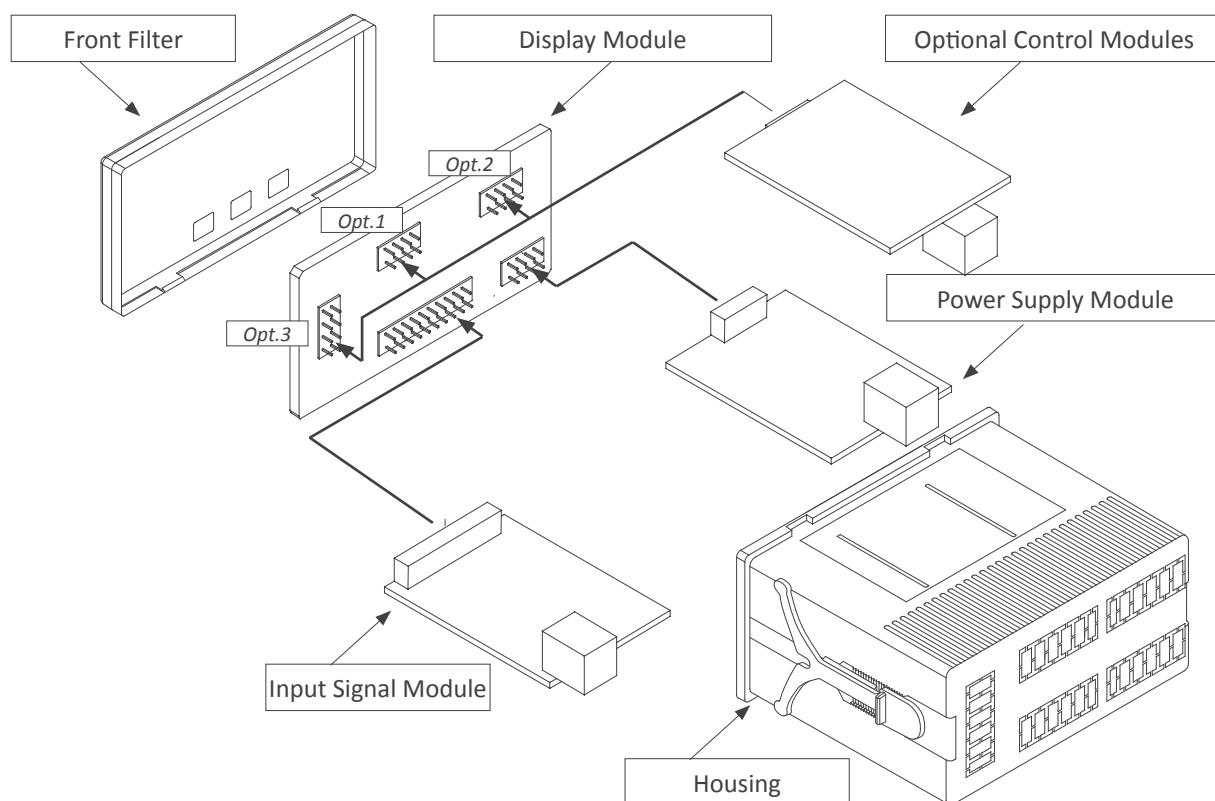
Risk of electric shock. Removing the front cover will grant access to the internal circuits. Disconnect the input signal to prevent electric shock to the operator. Operation must be performed by qualified personnel only.



Observe precautions for handling ESD (electrostatic discharge) sensitive devices

1.23 Modular system

Panel meters are designed to create a modular system. This modular system allows for addition, replacement or substitution of any of the internal modules conforming the instrument. Below is a graphic explanation for the position of each module.



1.24 Precautions on installation



Risk of electrical shock. Instrument terminals can be connected to dangerous voltage.



Instrument protected with double isolation. No earth connection required.



Instrument conforms to CE rules and regulations.

This instrument has been designed and verified conforming to the 61010-1 CE Security Regulation, for industrial applications.

Installation of this instrument must be performed by qualified personnel only. This manual contains the appropriate information for the installation. Using the instrument in ways not specified by the manufacturer may lead to a reduction of the specified protection level. Disconnect the instrument from power before starting any maintenance and / or installation action.

The instrument does not have a general switch and will start operation as soon as power is connected. The instrument does not have protection fuse, the fuse must be added during installation.

The instrument is designed to be panel mounted. An appropriate ventilation of the instrument must be assured. Do not expose the instrument to excess of humidity. Maintain clean by using a humid rag and do NOT use abrasive products such as alcohols, solvents, etc.

General recommendations for electrical installations apply, and for proper functionality we recommend : if possible, install the instrument far from electrical noise or magnetic field generators such as power relays, electrical motors, speed variators, ... If possible, do not install along the same conduits power cables (power, motor controllers, electrovalves, ...) together with signal and/or control cables.

Before proceeding to the power connection, verify that the voltage level available matches the power levels indicated in the label on the instrument.

In case of fire, disconnect the instrument from the power line, fire alarm according to local rules, disconnect the air conditioning, attack fire with carbonic snow, never with water.

1.25 Warranty

This instrument is warranted against all manufacturing defects for a period of 24 MONTHS from the shipment date. This warranty does not apply in case of misuse, accident or manipulation by non-authorized personnel. In case of malfunction get in contact with your local provider to arrange for repair. Within the warranty period and after examination by the manufacturer, the unit will be repaired or substituted when found to be defective. The scope of this warranty is limited to the repair cost of the instrument, not being the manufacturer eligible for responsibility on additional damages or costs.

1.26 CE declaration of conformity

Manufacturer PCE INSTRUMENTS

Products PCE-DPD-P1 & PCE-DPD-P2

The manufacturer declares that the instruments indicated comply with the directives and rules indicated below.

Electromagnetic compatibility directive 2014/30/EU

Low voltage directive 2014/35/EU

Directive ROHS 2011/65/EU

Security rules EN-61010-1

Instrument Fixed

Permanently connected

Pollution degree 1 and 2 (without condensation)

Isolation Double

Electromagnetic compatibility rules EN-61326-1

EM environment Industrial

Immunity levels

EN-61000-4-2	By contact ± 4 KV	Criteria B
	By air ± 8 KV	Criteria B

EN-61000-4-3		Criteria A
--------------	--	------------

EN-61000-4-4	On AC power lines : ± 2 KV	Criteria B
	On DC power lines : ± 2 KV	Criteria B
	On signal lines : ± 1 KV	Criteria B

EN-61000-4-5	Between AC power lines ± 1 KV	Criteria B
	Between AC power lines and earth ± 2 KV	Criteria B
	Between DC power lines ± 1 KV	Criteria B
	Between DC power lines and earth ± 2 KV	Criteria B
	Between signal lines and earth ± 1 KV	Criteria B

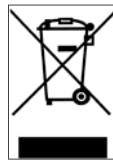
EN-61000-4-6		Criteria A
--------------	--	------------

EN-61000-4-8	30 A/m at 50/60 Hz	Criteria A
--------------	--------------------	------------

EN-61000-4-11	0 % 1 cycle	Criteria A
	40 % 10 cycles	Criteria A
	70 % 25 cycles	Criteria B
	0 % 250 cycles	Criteria B

Emission levels

CISPR 11	Instrument Class A, Group 1	Criteria A
----------	-----------------------------	------------



According to directive 2012/19/EU, electronic equipment must be recycled in a selective and controlled way at the end of its useful life.

2. Output and control modules

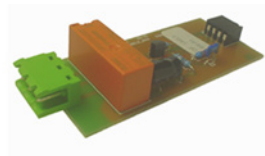
2.1 Module PCE-DPD/R

The PCE-DPD/R module provides 1 relay output to install at digital panel meters up to a maximum of 3 relays in a single meter.

Configuration is performed from the frontal keypad of the meter, by setting the parameters at the alarm menu. Check the parameters of at the alarm menu for full information.

Relay with 3 contacts (common, normally open, normally closed) with up to 250 Vac switching voltage and 8 A.

Modules PCE-DPD/R can be ordered pre-installed into a digital panel meter, or standalone for delayed installation, as they do not require soldering or special configuration.



Type of relay	3 contact relay (NC, NO, common)
Current maximum	8 A per relay (resistive load)
Voltage maximum*	250 Vac continuous
Isolation	3500 Veff
Type of terminal	plug-in screw terminal, pitch 5.08 mm
Slots allowed	'Opt.1', 'Opt.2', 'Opt.3'

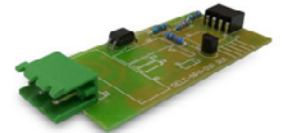
2.2 Module PCE-DPD/T

The PCE-DPD/T module provides 1 transistor output to install at digital panel meters from Series M, up to a maximum of 3 transistors in a single meter.

Configuration is performed from the frontal keypad of the meter, by setting the parameters at the alarm menu. Check the parameters of at the alarm menu for full information.

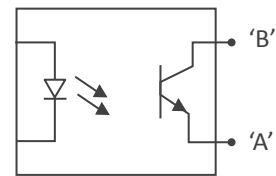
Transistor output is optoisolated, provides 2 terminals for connection, and can switch up to 35 V and 50 mA.

Modules PCE-DPD/T can be ordered pre-installed into a digital panel meter, or standalone for delayed installation, as they do not require soldering or special configuration.

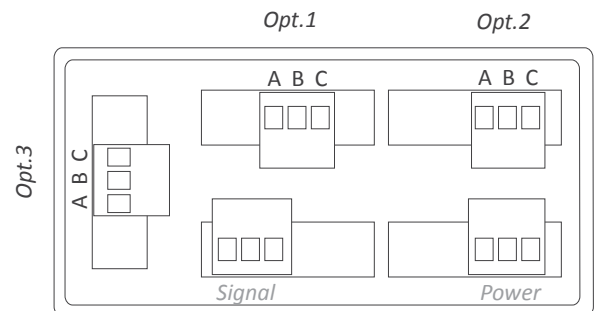
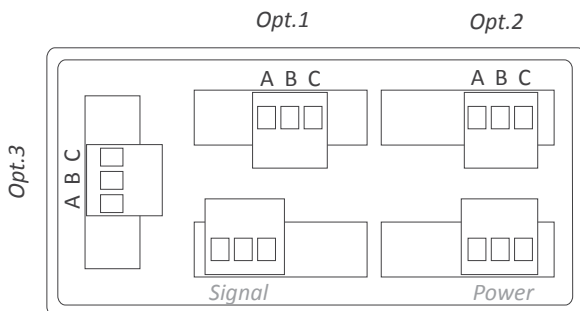


Type of output	transistor
Max. voltage	35 Vdc
Max. current	50 mA
Isolation	3500 Veff
Type of terminal	plug-in screw terminal, pitch 5.08 mm
Slots allowed	'Opt.1', 'Opt.2', 'Opt.3'

Terminal A Common
 Terminal B NO - Normally open
 Terminal C NC - Normally closed



Schematic for PCE-DPD/T output



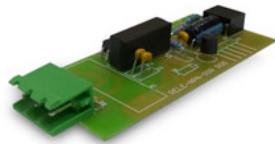
2.3 Module PCE-DPD/SSR

The PCE-DPD/SSR module provides 1 output to control SSR relays, to install at digital panel meters, up to a maximum of 3 SSR controls in a single meter.

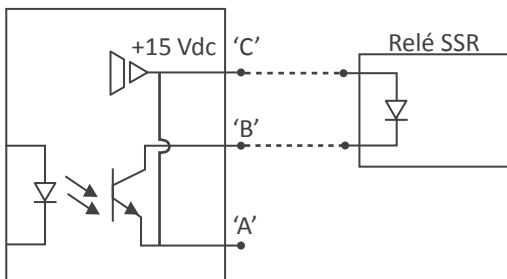
Configuration is performed from the frontal keypad of the meter, by setting the parameters at the alarm menu. Check the parameters of at the alarm menu for full information.

The module provides +15 Vdc voltage and up to 45 mA.

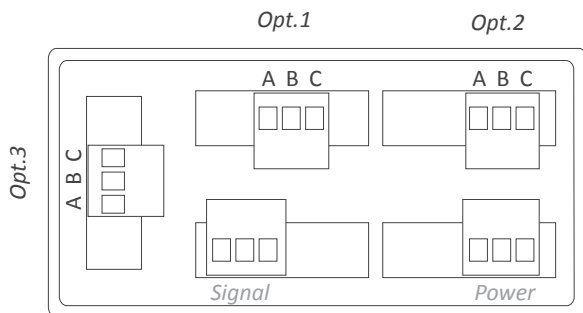
Modules PCE-DPD/SSR can be ordered pre-installed into a digital panel meter, or standalone for delayed installation, as they do not require soldering or special configuration.



Type of output	to control an SSR relay
Voltage output	15 Vdc
Max. current	45 mA
Isolation	1000 Vdc
Type of terminal	plug-in screw terminal, pitch 5.08 mm
Slots allowed	'Opt.1', 'Opt.2', 'Opt.3'



Schematic for PCE-DPD/SSR control module



2.4 Module PCE-DPD/AV

The PCE-DPD/AV module provides 1 analog output with 4/20 mA or 0/10 Vdc configurable output range. Output current loop configurable as active (the instrument provides the excitation for the loop) or passive (the loop is externally powered). Signal output proportional to the instruments reading. Fully configurable scaling, in direct (positive slope) or inverse (negative slope) scaling.

Up to a maximum of 3 analog output modules can be installed in a single instrument, all outputs isolated between them and isolated from the power and input signal circuits.

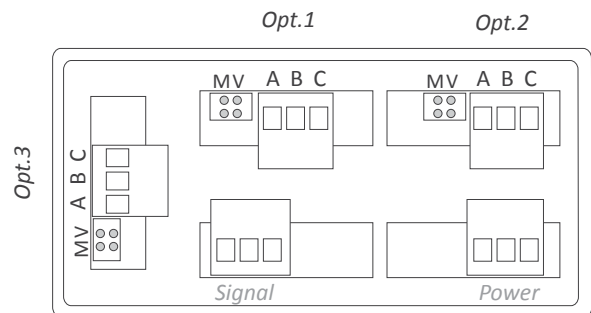
Configuration from instrument front keypad, through menu entries 'Opt.1', 'Opt.2' or 'Opt.3', depending on the position the module is installed.

The PCE-DPD/AV module can be ordered pre-installed into a panel meter, or standalone for delayed installation, as it does not require soldering or special configuration.



Output ranges	4/20 mA active, 4/20 mA passive 0/10 Vdc
Accuracy (at 25 °C)	<0.1% FS
Isolation	1000 Vdc
Slots allowed	'Opt.1', 'Opt.2', 'Opt.3'

Terminal A	Vexc
Terminal B	Signal in mA or Vdc
Terminal C	GND
Jumper M	closed for mA
Jumper V	closed for Vdc



2.6 Module PCE-DPD/MB

The PCE-DPD/MB module provides a Modbus RTU communications module for panel meters. The RTU module implements function '4' ('Read Input Registers') of the Modbus RTU protocol, to access the instrument registers (reading value, alarm status, memory of maximum and minimum, ...)

Configuration from instrument front keypad, through menu entries 'Opt.1', 'Opt.2' or 'Opt.3', depending on the position the module is installed.

The PCE-DPD/MB module can be ordered pre-installed into a panel meter, or standalone for delayed installation, as it does not require soldering or special configuration.



Protocol	Modbus RTU
Functions implemented	4 (Read_Input_Registers)
Bus type	RS-485, up to 57.6 Kbps
Isolation	1000 Vdc
Slots allowed	'Opt.1', 'Opt.2', 'Opt.3'

2.5 Module PCE-DPD/485

The PCE-DPD/485 module provides a RS-485 communications module of panel meters. ASCII protocol with 'Master' / 'Slave' architecture. Addressable with up to 31 modules. Frames codified in representable ASCII characters (codes 32 to 255), directly visible using 'hyperterminal' or similar programs.

- Configurable for direct retransmission to remote meters PCE-DPD-485 (14 mm digit height) and PCE-LDP Series (60 mm and 100 mm digit height).

- Access to display values, alarm status, memory of maximum and minimum, alarm setpoints, ...

Configuration from instrument front keypad, through menu entries 'Opt.1', 'Opt.2' or 'Opt.3', depending on the position the module is installed.

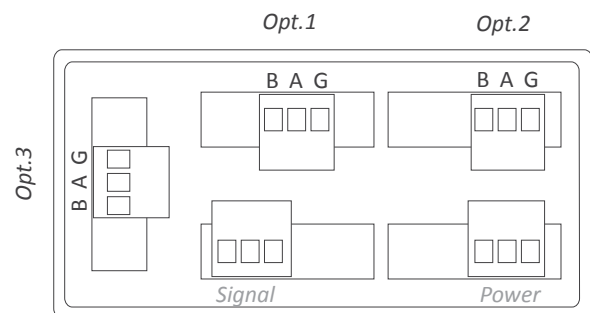
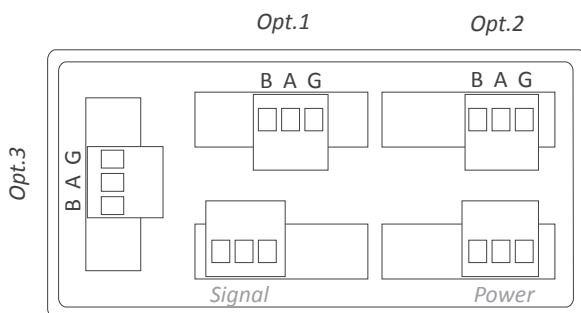
The PCE-DPD/485 module can be ordered pre-installed into a panel meter, or standalone for delayed installation, as it does not require soldering or special configuration.



Protocol	ASCII
Bus type	RS-485, up to 57.6 Kbps
Isolation	1000 Vdc
Slots allowed	'Opt.1', 'Opt.2', 'Opt.3'

Terminal B B signal from RS-485 bus
 Terminal A A signal from RS-485 bus
 Terminal G GND

Terminal B B signal from RS-485 bus
 Terminal A A signal from RS-485 bus
 Terminal G GND



2.7 Module PCE-DPD/232

The PCE-DPD/232 module provides a RS-232 communications module of panel meters. ASCII protocol with 'Master' / 'Slave' architecture. Addressable with up to 31 modules. Frames codified in representable ASCII characters (codes 32 to 255), directly visible using 'hyperterminal' or similar programs.

- Access to display values, alarm status, memory of maximum and minimum, alarm setpoints, ...

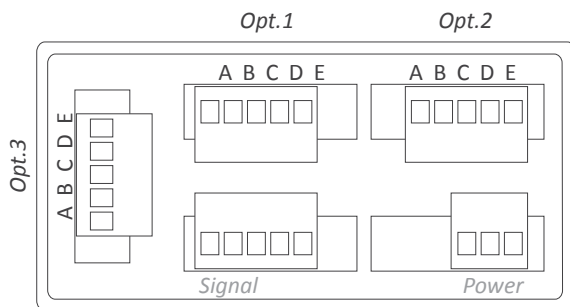
Configuration from instrument front keypad, through menu entries 'Opt.1', 'Opt.2' or 'Opt.3', depending on the position the module is installed.

The PCE-DPD/232 module can be ordered pre-installed into a panel meter, or standalone for delayed installation, as it does not require soldering or special configuration.



Protocol	ASCII
Bus type	RS-232, up to 57.6 Kbps
Isolation	1000 Vdc
Slots allowed	'Opt.1', 'Opt.2', 'Opt.3'

<i>Terminal E</i>	<i>GND</i>
<i>Terminal D</i>	<i>Rx1</i>
<i>Terminal C</i>	<i>Tx1</i>
<i>Terminal B</i>	<i>Rx2</i>
<i>Terminal A</i>	<i>Tx2</i>





PCE Instruments

GERMANY

PCE Deutschland GmbH
Im Langel 4
D-59872 Meschede
Deutschland
Tel.: +49 (0) 2903 976 99 0
Fax: +49 (0) 2903 976 99 29
info@pce-instruments.com
www.pce-instruments.com/deutsch

GERMANY

Produktions- und
Entwicklungsgesellschaft mbH
Im Langel 26
D-59872 Meschede
Deutschland
Tel.: +49 (0) 2903 976 99 471
Fax: +49 (0) 2903 976 99 9971
info@pce-instruments.com
www.pce-instruments.com/deutsch

NETHERLANDS

PCE Brookhuis B.V.
Institutenweg 15
7521 PH Enschede
Nederland
Telefoon: +31 (0)53 737 01 92
Fax: +31 53 430 36 46
info@pcebenelux.nl
www.pce-instruments.com/dutch

USA

PCE Americas Inc.
711 Commerce Way suite 8
Jupiter / Palm Beach
33458 FL
USA
Tel: +1 (561) 320-9162
Fax: +1 (561) 320-9176
info@pce-americas.com
www.pce-instruments.com/us

FRANCE

PCE Instruments France EURL
23, rue de Strasbourg
67250 Soultz-Sous-Forets
France
Téléphone: +33 (0) 972 3537 17
Numéro de fax: +33 (0) 972 3537 18
info@pce-france.fr
www.pce-instruments.com/french

UNITED KINGDOM

PCE Instruments UK Ltd
Units 11 Southpoint Business Park
Ensign Way, Southampton
Hampshire
United Kingdom, SO31 4RF
Tel: +44 (0) 2380 98703 0
Fax: +44 (0) 2380 98703 9
info@industrial-needs.com
www.pce-instruments.com/english

CHILE

PCE Instruments Chile S.A.
RUT: 76.154.057-2
Calle Santos Dumont N° 738, Local 4
Comuna de Recoleta, Santiago
Tel. : +56 2 24053238
Fax: +56 2 2873 3777
info@pce-instruments.cl
www.pce-instruments.com/chile

TURKEY

PCE Teknik Cihazları Ltd.Şti.
Halkalı Merkez Mah.
Pehlivan Sok. No.6/C
34303 Küçükçekmece - İstanbul
Türkiye
Tel: 0212 471 11 47
Faks: 0212 705 53 93
info@pce-cihazlari.com.tr
www.pce-instruments.com/turkish

SPAIN

PCE Ibérica S.L.
Calle Mayor, 53
02500 Tobarra (Albacete)
España
Tel. : +34 967 543 548
Fax: +34 967 543 542
info@pce-iberica.es
www.pce-instruments.com/espanol

ITALY

PCE Italia s.r.l.
Via Pesciatina 878 / B-Interno 6
55010 Loc. Gagnano
Capannori (Lucca)
Italia
Telefono: +39 0583 975 114
Fax: +39 0583 974 824
info@pce-italia.it
www.pce-instruments.com/italiano

HONG KONG

PCE Instruments HK Ltd.
Unit J, 21/F., COS Centre
56 Tsun Yip Street
Kwun Tong
Kowloon, Hong Kong
Tel: +852-301-84912
jyi@pce-instruments.com
www.pce-instruments.cn

CHINA

PCE (Beijing) Technology Co., Limited
1519 Room, 4 Building
Men Tou Gou Xin Cheng
Men Tou Gou District
102300 Beijing
China
Tel: +86 (10) 8893 9660
info@pce-instruments.cn
www.pce-instruments.cn